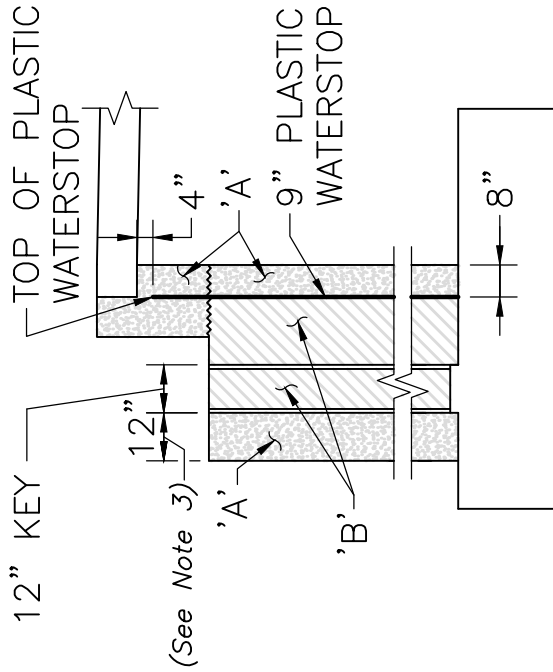


GRAVITY ABUTMENT



CANTILEVER ABUTMENT

NOTES:

1. LONGITUDINAL REINFORCEMENT SHALL END 2" CLEAR OF EXPANSION JOINT.
2. 'A' - PREFORMED FILLER (IN ACCORDANCE WITH M9.14.0)
 'B' - PREFORMED FILLER (IN ACCORDANCE WITH M3.05.3 BITUMINOUS JOINT FILLER)
3. FILLER MATERIAL SHALL BE FASTENED SECURELY TO ONE SIDE OF JOINT.

VERTICAL SECTION THRU EXPANSION JOINT

SCALE: $\frac{1}{4}'' = 1'-0''$

NOTES:

1. Expansion joints shall be located at intervals not more than 72'. In the case of long walls, the first joint in the wing from the corner of the abutment is expansion.
2. Locate expansion joints by dimensions on the Construction Drawings.
3. If 12" clearance can not be achieved by placing end of 12" key at face of backwall, place key farther back to achieve the 12" clearance.