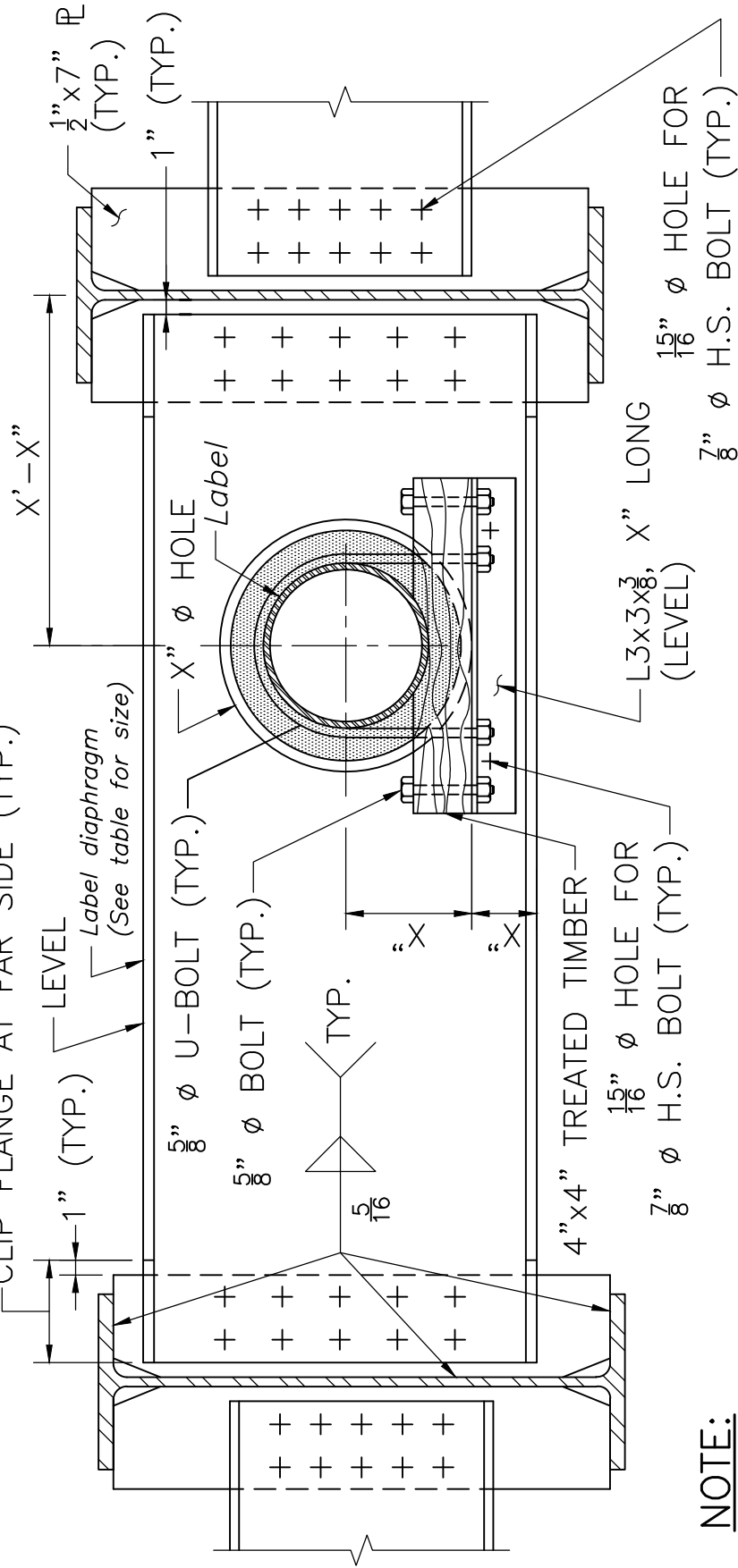


CLIP FLANGE AT FAR SIDE (TYP.)



NOTE:

SEE DIAPHRAGM CONNECTION PLATE CLIP DETAILS ON SHEET X. (See Dwg. No. 5.1.9)

UTILITY SUPPORT DETAILS AT INTERMEDIATE DIAPHRAGMS LOCATIONS

SCALE: 1" = 1'-0"

NOTES:

1. Modify the details as necessary to suit project.
2. Combine the above detail with the detail for utility supports between diaphragms (Dwg. No. 5.1.8). For a utility bay located under a sidewalk, see Dwg. No. 5.1.7.
3. Provide at least as many bolts for the attachment of the diaphragm utility support as required for a normal diaphragm. Include the bolt hole spacing and edge distances.
4. Dimension the circular opening as well as the location of support angle and bolts. Water pipe is shown. For other utilities, provide the main supports only.

Stringer	Diaphragms
W40	W30x99
W36	W27x94
W33	W27x94
W30	W24x76
W27	W24x76
W24	W18x60
W21	W18x60