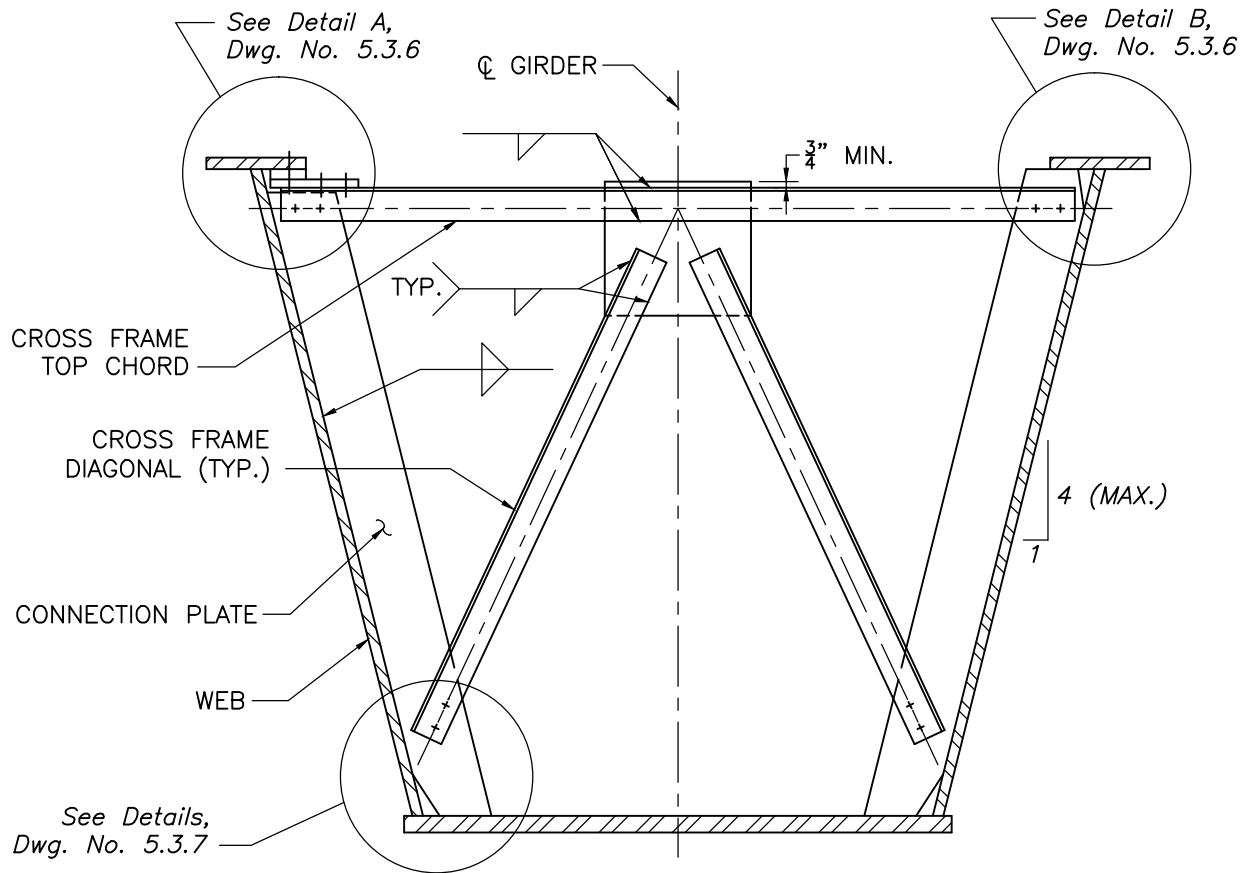


PARTIAL PLAN

SCALE: $\frac{3}{4}$ " = 1'-0"



INTERIOR INTERMEDIATE CROSS FRAME DETAILS

SCALE: $\frac{3}{4}$ " = 1'-0"

NOTES:

1. The top lateral bracing may be bolted directly to the flange without a gusset plate where the flange width permits.
2. Single angles are preferred for intermediate cross frames. Double angles may be required as the design dictates.
3. Rectangular gusset plates are preferred.



LRFD BRIDGE
MANUAL, PART II

**INTERIOR INTERMEDIATE
CROSS FRAME DETAILS**
STEEL BOX GIRDERS

DATE OF ISSUE
JUNE 2013

DRAWING NUMBER

5.3.5