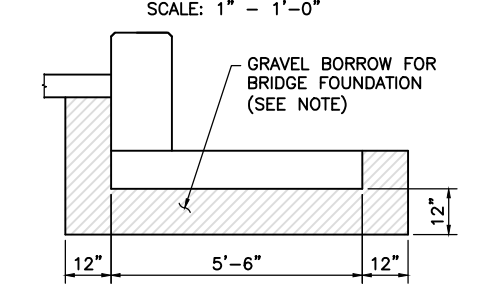
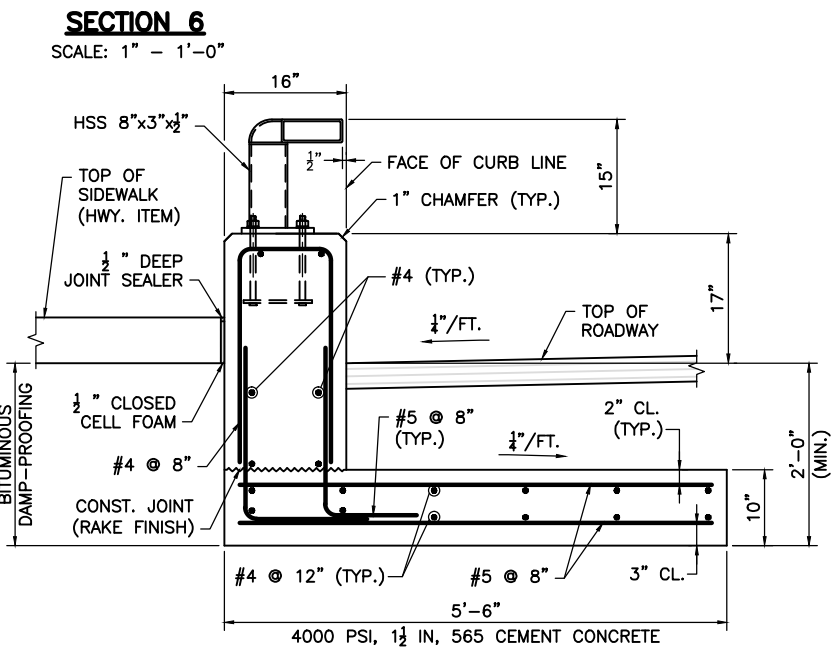
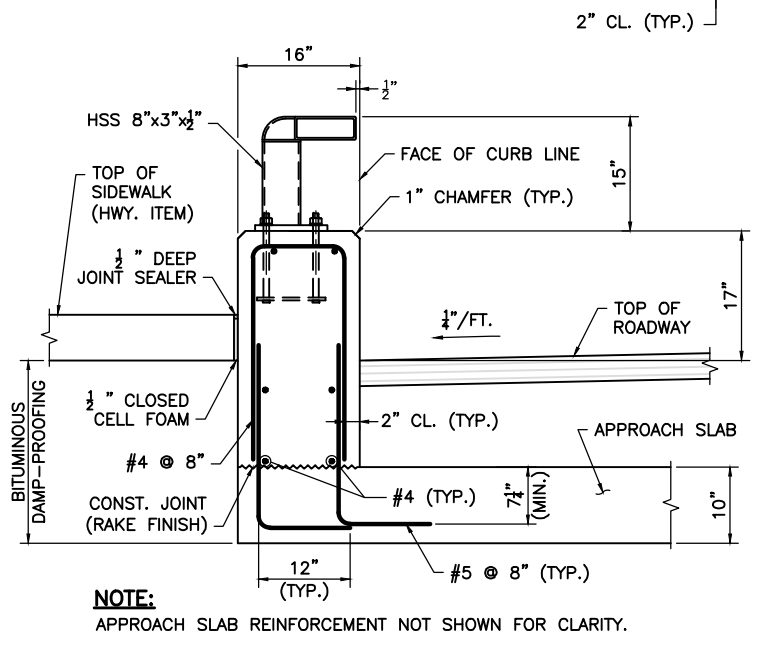
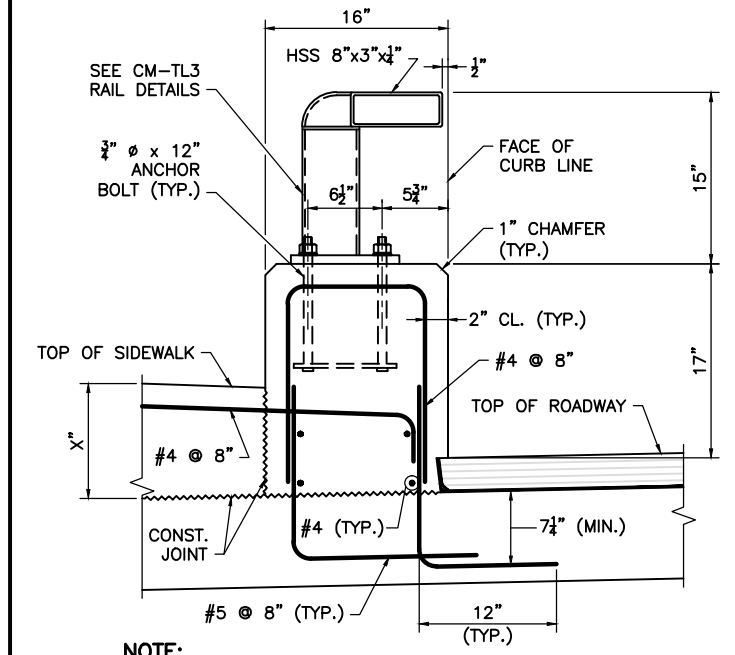
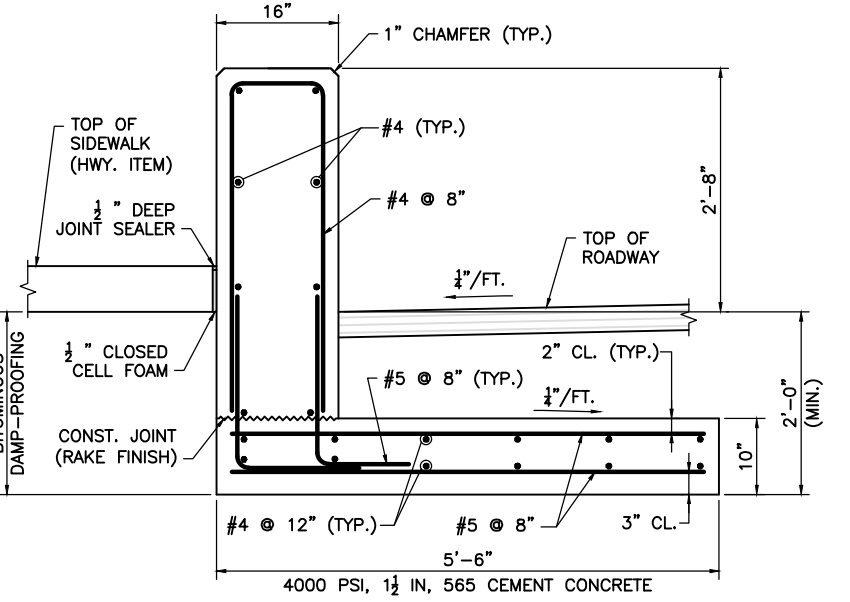
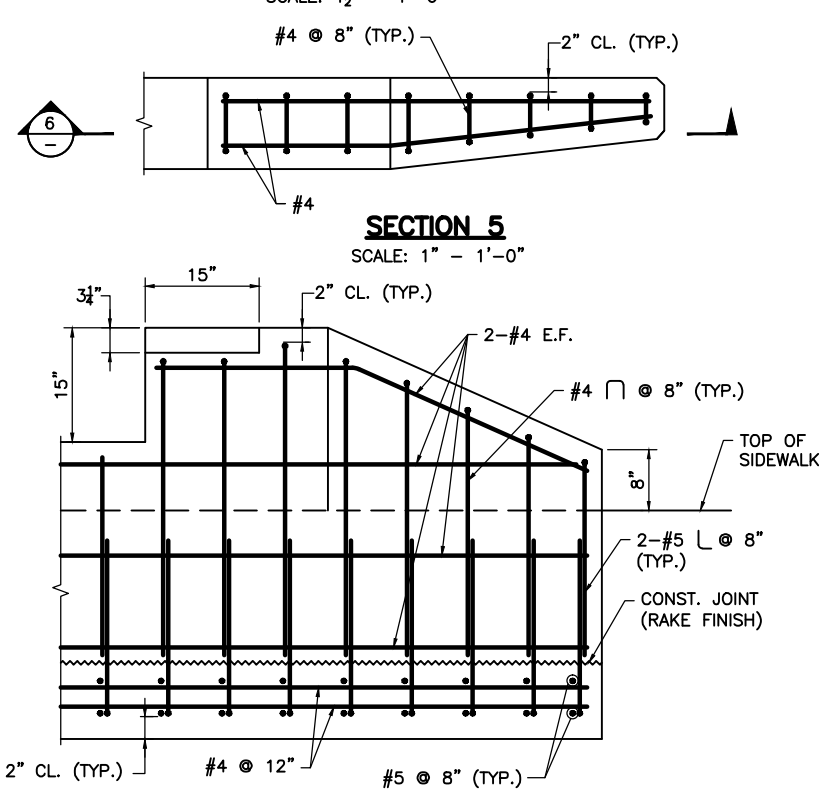
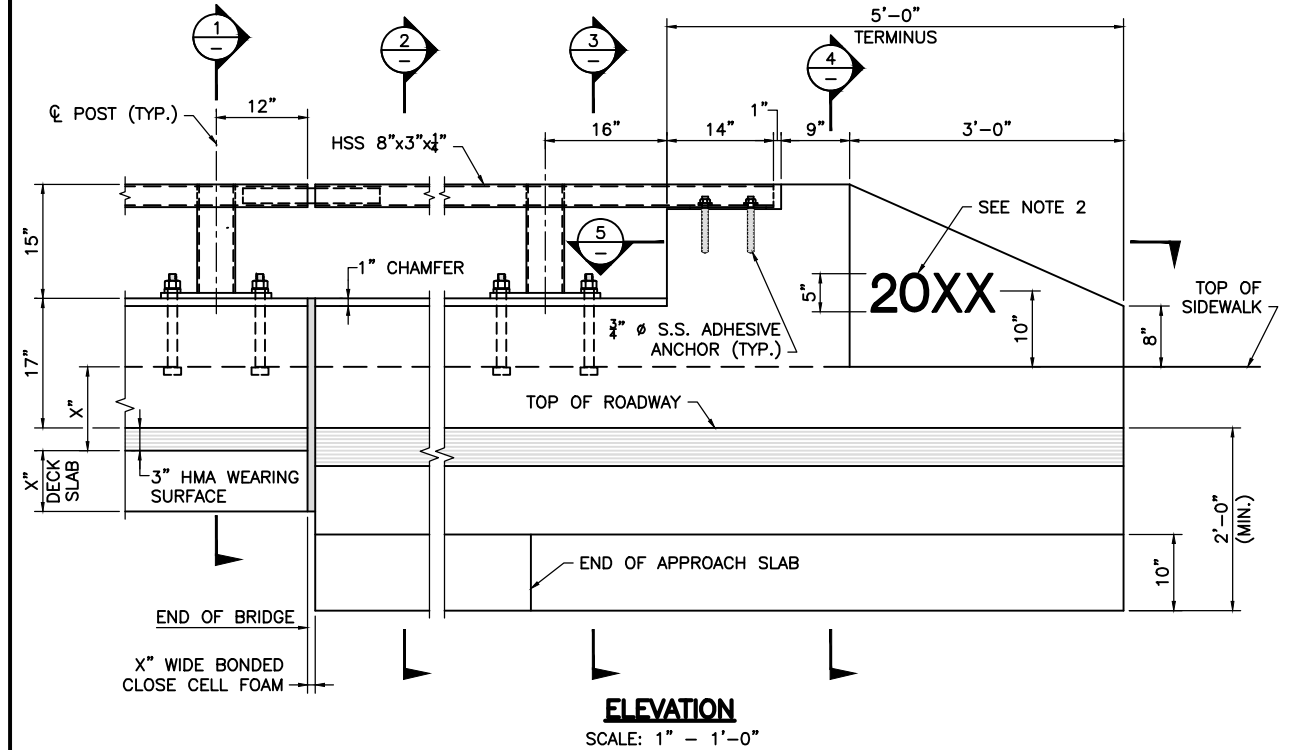
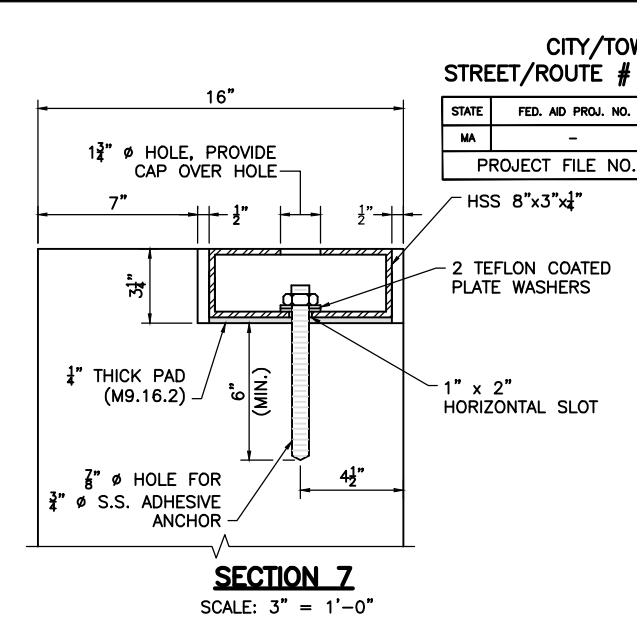
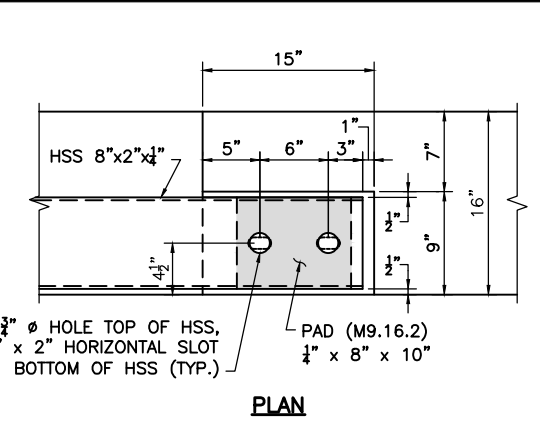
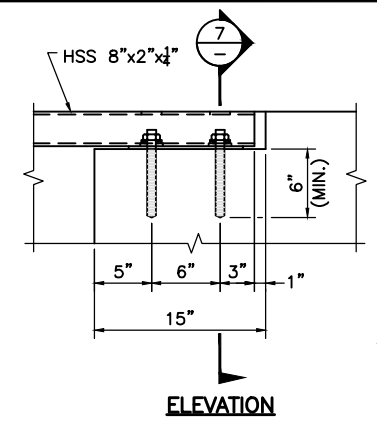
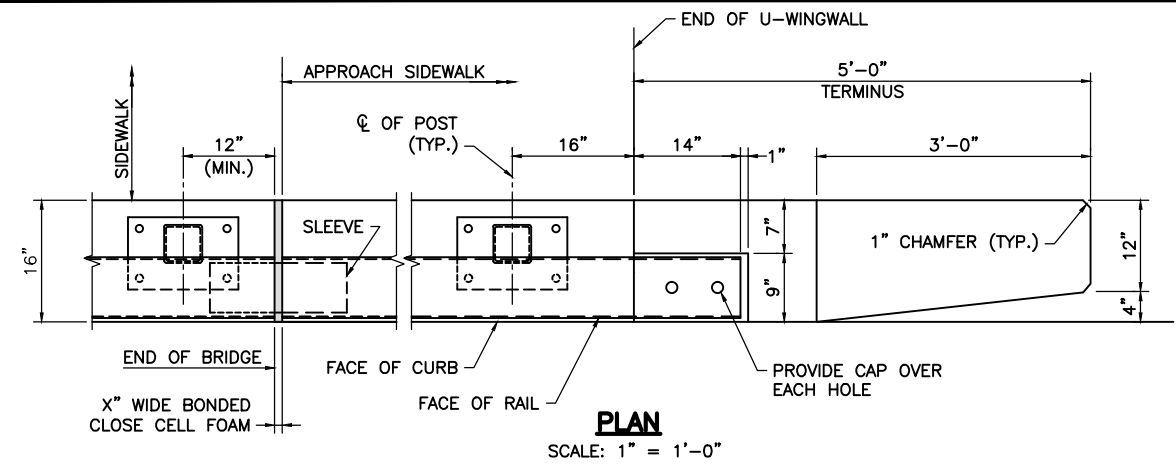


CITY/TOWN			
STREET/ROUTE # OR NAME			
STATE	FED. AID PROJ. NO.	SHEET NO.	TOTAL SHEETS
MA	-	X	X
PROJECT FILE NO. XXXXXX			



**NOTE:**  
GRAVEL BORROW SHALL BE PLACED AND THOROUGHLY COMPACTED TO THE GRADE OF THE BOTTOM OF THE SLAB.

**MC-TL3 RAILING BACKFILL**  
SCALE: 1/2" = 1'-0"

- NOTES:**
- ALL CONCRETE FOR THE MC-TL3 RAILING AND TERMINUS SHALL BE 5000 PSI, 3/4" IN, 685 HP CEMENT CONCRETE.
  - USE LATEST CONTRACT COMPLETION YEAR IN EFFECT WHEN THE FIRST TERMINUS IS CAST.

MONTH DD, YYYY	ISSUED FOR CONSTRUCTION
DATE	DESCRIPTION
USE ONLY PRINTS OF LATEST DATE	

**TERMINUS FOR CM-TL3 BRIDGE RAILING**

TERMINUS - CM-TL3 BRIDGE RAILING.DWG 8-Jan-2014