

521 CMR 32.00: **KITCHENS**

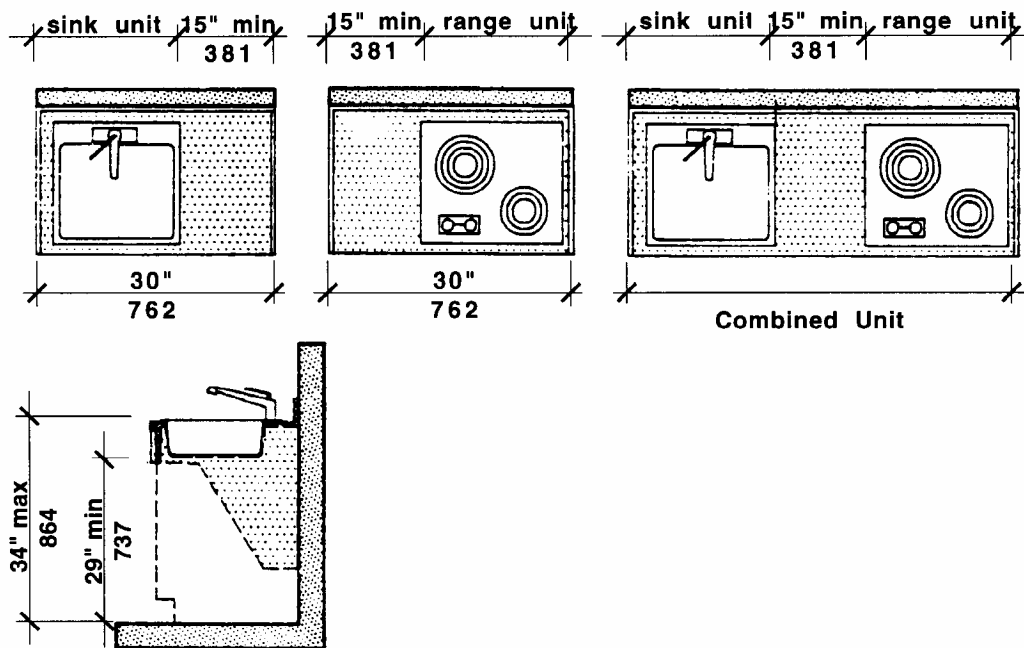
32.1 **GENERAL**

Non-commercial kitchens in public facilities such as classrooms and community rooms shall provide a *clear space* of 60 inches (60" = 1524mm) in diameter, measured 12 inches (12" = 305mm) above the floor. For requirements for kitchens in *multiple dwellings*, see **521 CMR 43.00: GROUP 1 KITCHENS** and **521 CMR 45.00: GROUP 2 KITCHENS**.

32.2 **COUNTER TOPS**

Counter tops that contain sinks and cooking units shall provide a minimum of 15 inches (15" = 381mm) of clear countertop on at least one side of the cooking unit and on at least one side of the sink and shall have a clear space underneath that complies with **521 CMR 32.6, Kneespace**.

Countertops shall be mounted no higher than 34 inches (34" = 864mm) above the finish floor. See **Fig. 32a**.



Cross Section - Sink Unit

Knee Space under Counter Tops

Figure 32a

32.3 **WALL CABINETS**

The bottoms of the wall cabinets shall comply with **521 CMR 6.5 Forward Reach** or **6.6 Side Reach**

32.4 **PANTRY UNIT**

A tall cabinet at least 30 inches (30" = 762mm) wide and 72 inches (72" = 1829mm) in height may be installed in lieu of making overhead cabinets *accessible*. If walk-in pantry is provided, the door to the pantry shall fully comply with **521 CMR 26.00: DOORS AND DOORWAYS**.

32.00: **KITCHENS**

32.5 **HARDWARE**

Cabinet hardware shall be operable with a closed fist. Cabinet opening devices shall be located at the top of base cabinets and at the bottom of wall cabinets.

32.6 **KNEESPACE**

Access *space* for the knees and feet of wheelchair users shall be provided under cooktops and sinks, and elsewhere as *space* and storage considerations permit.

32.6.1 All such spaces shall be at least 30 inches (30" = 762mm) wide, 27 inches (27" = 686mm) high, and 19 inches (19" = 483mm) deep.

32.6.2 Where sink and cooking units are within 15 inches (15" = 381mm) of each other, access space under the counter shall be continuous at a height of 27 inches (27" = 686mm) to the underside of the counter.

32.7 **SINK**

Sinks shall comply with the following:

32.7.1 *Clear floor space*: A *clear floor space*, complying with **521 CMR 6.3, Wheelchair Turning Space** shall be provided in front of a sink to allow forward approach. The *clear floor space* shall be on an *accessible route* and shall extend a maximum of 19 inches (19" = 483mm) underneath the sink. See **Fig. 30g**.

32.7.2 Sinks shall be mounted with the rim no higher than 34 inches (34" = 864mm) above the finish floor.

32.7.3 Sink depth shall not exceed eight inches (8" = 203mm).

32.7.4 Sink traps and drains shall be located as close to rear walls as possible. Plumbing pipes shall be recessed, insulated, or guarded. There shall be no sharp or abrasive surfaces under sinks.

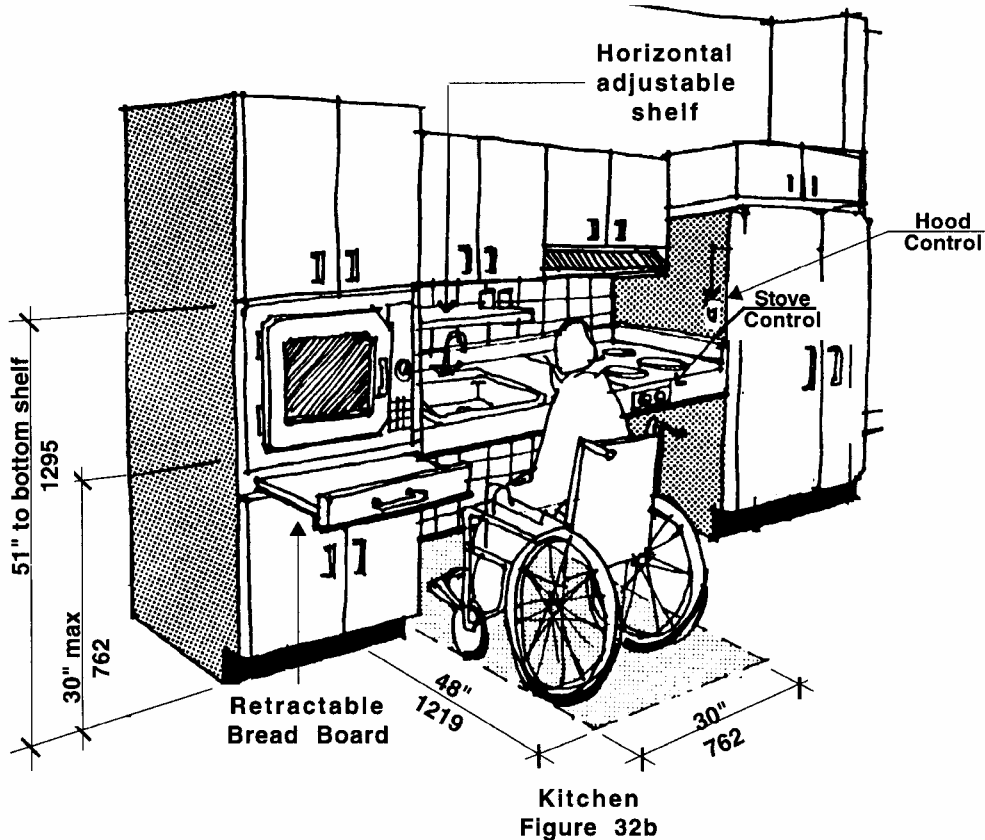
32.7.5 Faucets shall be operable with one hand and shall not require tight grasping, pinching, or twisting of the wrist. Lever-operated, push-type, touch-type, or electronically controlled mechanisms are acceptable designs.

32.7.6 Garbage disposals, when provided, shall be controlled by switches under the counter at the front.

32.8 **COOKING UNITS**

Shall comply with the following: See **Fig. 32b**.

32.00: KITCHENS



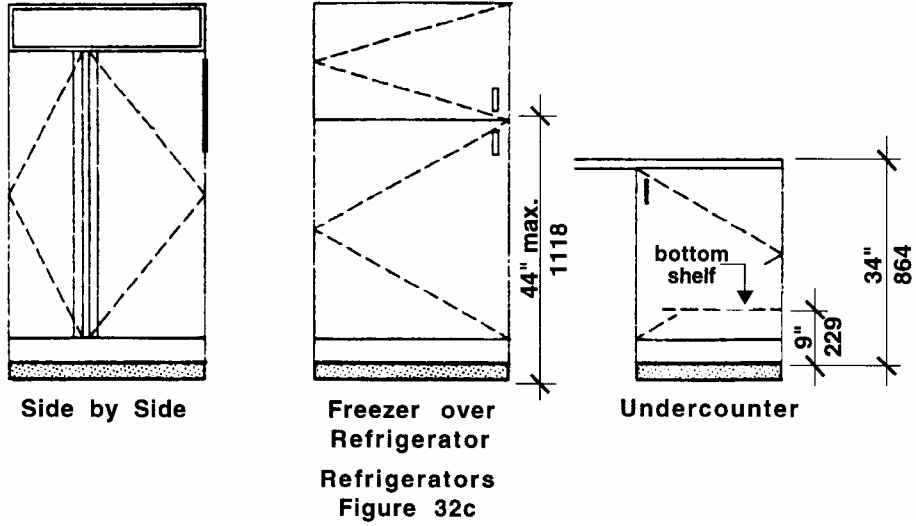
- 32.8.1 Cooking units shall be the in-counter type with controls at the front of counter or counter faces, and with open access *space* under the counter.
- 32.8.2 Where hoods are provided above cooking units, controls shall be located no higher than 54 inches (54" = 1372mm) above the floor, but shall not be located behind cooking units.
- 32.8.3 Ovens shall be the wall-oven type, set at a height such that bottoms of doors are 30 inches (30" = 762mm) above the floor.
- 32.8.4 Bottom-hinged ovens shall provide retractable "bread board" type shelf concealed in the counter, adjacent to the oven door. If side-hinged, the "bread board" type shelf shall be located under the oven.
- 32.8.5 Ovens shall also be self-cleaning, or continuous cleaning.

32.9 **REFRIGERATORS**

May be combination refrigerator-freezers with two doors side by side, or may be two door freezer-above-the-refrigerator units or refrigerator-above-the-freezer units, provided the bottom of such freezer or refrigerator is no higher than 44 inches (44" = 1118mm) above the floor. See **Fig. 32c**. Refrigerators shall be self-defrosting.

32.00: **KITCHENS**

Exception: In kitchenettes an undercounter type refrigerator is acceptable.



32.10 **CONTROLS**

All controls and switches shall comply with **521 CMR 39.00: CONTROLS**.