

521 CMR 33.00: **DRESSING, FITTING AND CHANGING ROOMS**

33.1 **DRESSING, FITTING AND CHANGING ROOMS**

Where provided, dressing, fitting and changing rooms shall comply with the following:

33.2 **DISTRIBUTION**

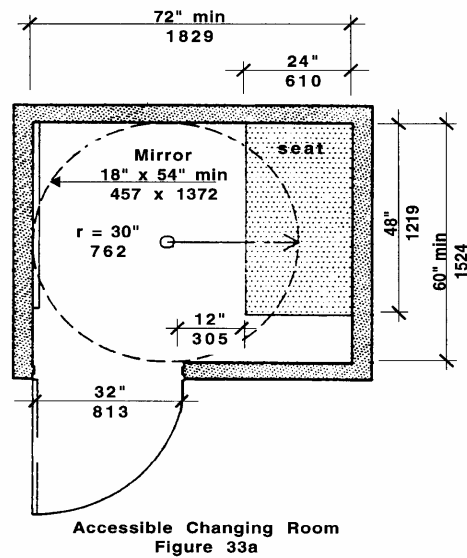
5%, but never less than one, in each cluster of dressing, fitting and changing rooms shall be *accessible*. Where separate sex dressing, fitting or changing rooms are provided, at least one such room for each sex shall be provided.

33.3 **LOCATION**

Accessible dressing, fitting and changing rooms shall be on an *accessible route* complying with **521 CMR 20.00: ACCESSIBLE ROUTE**. A wheelchair turning space complying with **521 CMR 6.3, Wheelchair Turning Space** shall be provided in every *accessible* dressing, fitting and changing room entered through a swinging door, sliding door or curtain.

33.4 **SIZE**

The *accessible* dressing, fitting or changing room should be a minimum of five feet by six feet (5'-0" by 6'-0" = 1524mm by 1829mm). A *clear* floor area of 60 inches in diameter (60" = 1524mm), measured at 12 inches (12" = 305mm) above the floor, shall be provided in every *accessible* dressing, fitting or changing room. See **Fig. 33a**.



33.4.1 No door shall swing into any part of the turning space.

33.4.2 A coat hook shall be provided within the dressing, fitting or changing room and located no higher than 54 inches (54" = 1372mm) above the floor.

33.00: **DRESSING, FITTING AND CHANGING ROOMS**

33.5 **DOORS**

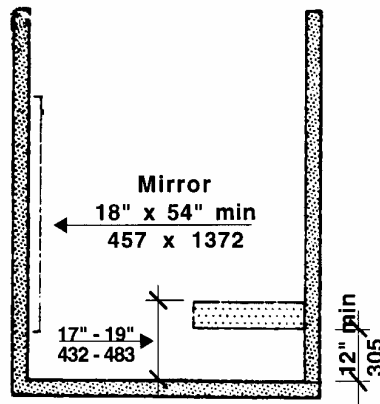
All doors to *accessible* dressing, fitting and changing rooms shall be in compliance with **521 CMR 26.00: DOORS AND DOORWAYS.**

33.6 **SEAT**

Every *accessible* dressing, fitting and changing room shall have a seat/bench that complies with the following:

33.6.1 The seat/bench shall be 24 inches by 48 inches (24" x 48" = 610mm by 1219mm) and fixed to the wall along the shorter dimension.

33.6.2 The seat shall be mounted 17 inches to 19 inches (17" to 19" = 432mm to 483mm) above the finish floor and open below with a minimum of 12 inches (12" = 305mm) in height measured from the floor. See **Fig. 33b.**



Changing Rooms
Figure 33b

33.6.3 *Clear floor space* shall be provided alongside the bench to allow a person using a wheelchair to make a parallel transfer onto the seat.

33.6.4 The seat and attachments shall comply with the requirements for *structural strength* in **521 CMR 5.00: DEFINITIONS.**

33.7 **MIRROR**

Where mirrors are provided in changing rooms a full-length mirror measuring at least 18 inches wide by 54 inches high (18" by 54" = 457mm by 1372mm), shall be mounted 18 inches (18" = 457mm) above the finish floor, in a position affording a view to a person on the bench as well as to a person in a standing position. See **Fig. 33b.**