

521 CMR 35.00: TABLES AND SEATING

35.1 FIXED TABLES AND BUILT-IN SEATING

Where fixed tables or built in seating are provided, at least 5%, but not less than one, of the fixed tables shall be *accessible*, be on an *accessible route*, and shall comply with the following. There shall be no fixed seats at *accessible* tables.

35.2 DISTRIBUTION

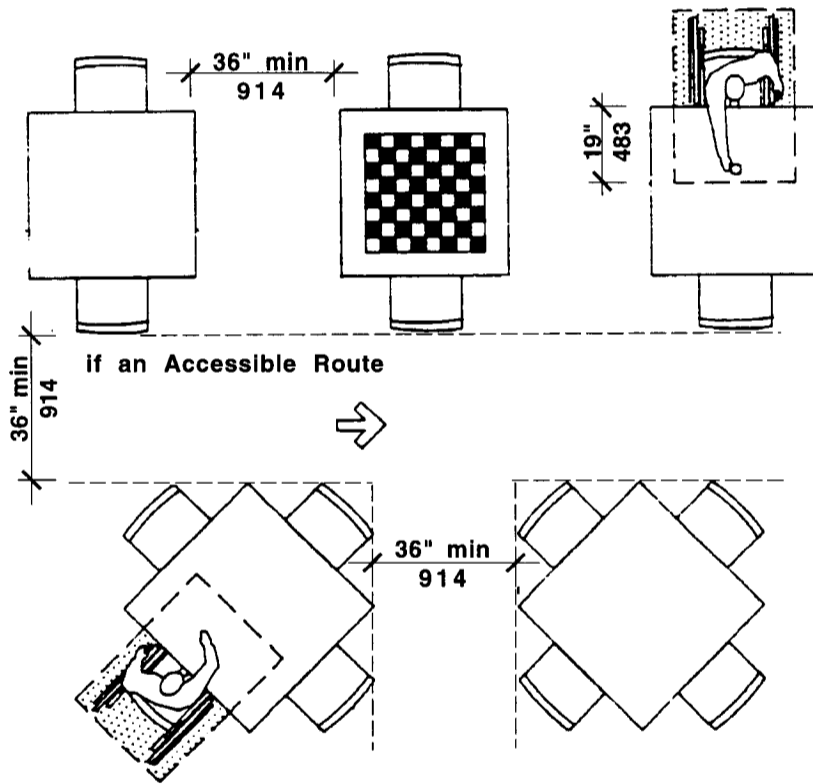
Accessible fixed tables shall be distributed by size and location throughout the *space* or *facility*. In establishments where separate areas are designated for smoking and non-smoking patrons, the required number of *accessible* fixed tables shall be proportionally distributed between the smoking and non-smoking areas.

35.3 CLEARANCES

Between fixed *accessible* tables there shall be at least a 36 inch (36" = 914mm) *access aisle*. No seating shall overlap the *access aisle*.

35.4 CLEAR FLOOR SPACE

Clear floor space shall be provided at each seating *space*. Such *clear floor space* shall not overlap *knee space* by more than 19 inches (19" = 483mm). See **Fig. 35a**.



**Clearances for Tables and Seating
Figure 35a**

35.5 KNEE CLEARANCES

If seating for people in wheelchairs is provided at tables or counters, *knee spaces* at least 27 inches (27" = 686mm) high, 30 inches (30" = 762mm) wide, and 19 inches (19" = 483mm) deep shall be provided. See **Fig. 35b**.

35.00: continued

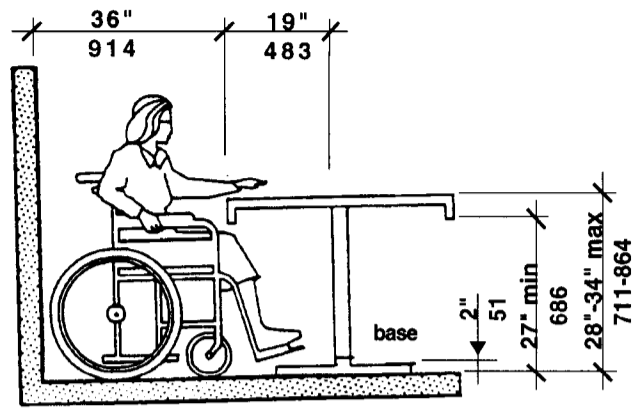


Table Heights and Clearances
Figure 35b

35.6 HEIGHT OF TABLES OR COUNTERS

The tops of *accessible* tables and counters shall be from 28 inches to 34 inches (28" to 34" = 711mm to 864mm) above the finish floor or ground.