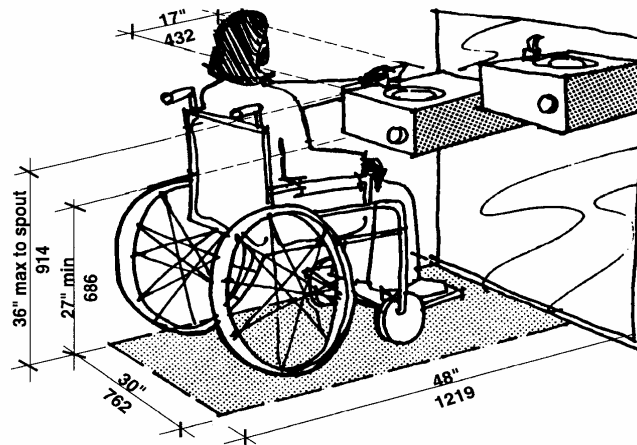


521 CMR 36.00: **DRINKING FOUNTAINS**36.1 **GENERAL**

Drinking fountains shall include water coolers. Drinking fountains, when provided, shall comply with the following requirements.

36.1.1 Where only one drinking fountain is provided on a floor it shall be *accessible*. A single drinking fountain can be installed by the use of a "high-low" fountain; See **Fig. 36a**.

36.1.2 Where more than one drinking fountain is provided on a floor, one in each location shall be *accessible* and shall be on an *accessible route*.



Drinking Fountains
Figure 36a

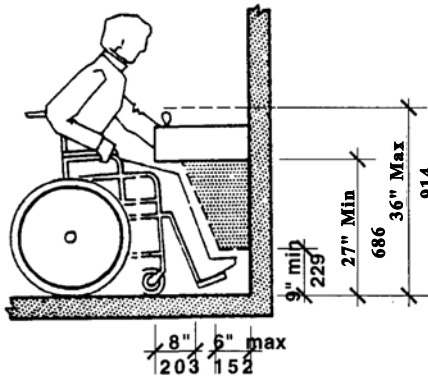
36.2 **CLEARANCES**

Shall comply with the following:

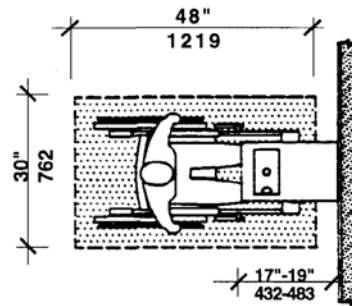
36.2.1 Wall and post-mounted cantilevered units allowing only a front approach shall have a *clear knee space* between the bottom of the apron and the floor or ground.

- a. The knee space shall be at least 27 inches (27" = 686mm) high, 30 inches (30" = 762mm) wide, and 17 inches to 19 inches (17" to 19" = 432mm to 483mm) deep. See **Fig. 36b** and **36c**.
- b. These units shall also have a minimum *clear floor space* to allow a person in a wheelchair to approach the unit facing forward. See **Fig. 36b** and **36c**.

36.00: DRINKING FOUNTAINS

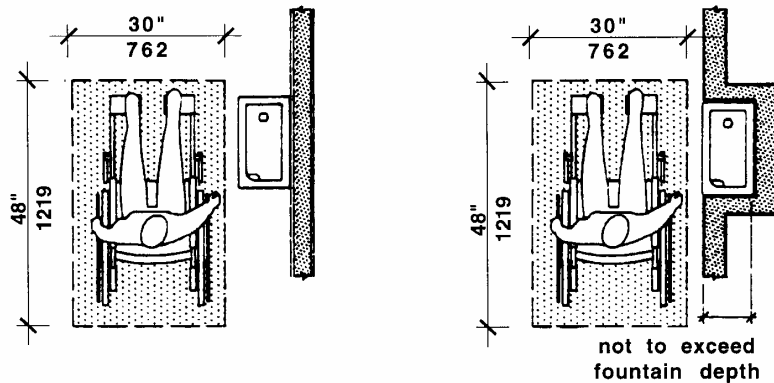


Front Approach (Elevation)
Figure 36b



Front Approach (Plan)
Figure 36c

6.2.2 Free-standing units not having a knee *space* under them shall have a *clear floor space* that allows a person in a wheelchair to make a parallel approach to the unit. See **Fig. 36d**. This *clear floor space* shall comply with **521 CMR 6.6, Side Reach**.

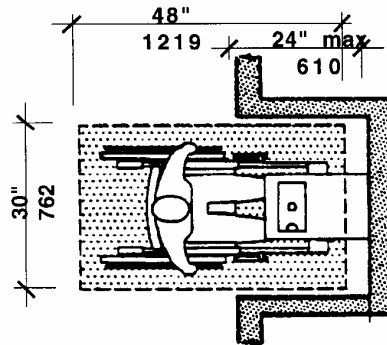


Parallel Approach
Figure 36d

36.2.3 Built-in units shall comply with the following:

- a. Where a drinking fountain is cantilevered or wall mounted along an *accessible route* it shall comply with the requirements of **521 CMR 20.6, Protruding Objects**.
- b. Where a drinking fountain is cantilevered in a recess, the recess shall be not less than 30 inches (30" = 762mm) wide, and the fountain shall comply with **521 CMR 36.2.1**. See **Fig. 36e**.

36.00: **DRINKING FOUNTAINS**



Front Approach (Cantilevered in a Recess)
Figure 36e

- c. Where a drinking fountain is located in a recess and has no knee *space* below, the recess depth shall not exceed the fountain depth and the fountain shall have a *clear floor space* that allows a person in a wheelchair to make a parallel approach to the unit (See **Fig. 36d**). This *clear floor space* shall comply with **521 CMR 6.4, Clear Floor or Ground Space for Wheelchairs**.

36.3 **SPOUT LOCATION**

The spouts of drinking fountains and water coolers shall comply with the following:

- 36.3.1 Spouts shall be located at the front of the unit and shall direct the water flow in a trajectory that is parallel or nearly parallel to the front of the unit.
- 36.3.2 The spout shall provide a flow of water at least four inches (4" = 102mm) high to allow the insertion of a cup or glass under the flow of water.
- 36.3.3 On an *accessible* drinking fountain with a round or oval bowl, the spout must be positioned so the flow of water is within three inches (3" = 76mm) of the front edge of the fountain.

36.4 **SPOUT HEIGHT**

Spouts shall be no higher than 36 inches (36" = 914mm), measured from the floor or ground surface to the spout outlet. See **Fig. 36a**.

36.5 **CONTROLS**

Controls shall comply with the following:

- 36.5.1 Controls shall be front-mounted or side-mounted near the front edge of the drinking fountain.
- 36.5.2 Controls shall be operable with one hand and shall not require tight grasping, pinching or twisting of the wrist. Knob-type faucets are not permitted. The force required to activate the controls shall be no greater than five lbs.
- 36.5.3 Other types of controls may be installed in addition to, but not instead of, hand operated controls.

36.00: **DRINKING FOUNTAINS**

NON-TEXT PAGE