

# CHAPTER 10 CHIMNEYS AND FIREPLACES

**User note:**

*About this chapter:* Chapter 10 contains requirements for the construction, seismic reinforcing and anchorage of masonry chimneys and fireplaces; and establishes standards for the use and installation of factory-built chimneys, fireplaces and masonry heaters. Chimneys and fireplaces constructed of masonry rely on prescriptive requirements for the details of their construction; factory-built versions rely on the listing and labeling method of approval.

## SECTION R1001 MASONRY FIREPLACES

**R1001.1 General.**

Masonry fireplaces shall be constructed in accordance with this section and the applicable provisions of Chapters 3 and 4 of 780 CMR 51.00. Chimneys shall be structurally sound, durable, smoke tight and capable of conveying flue gases to the exterior safely.

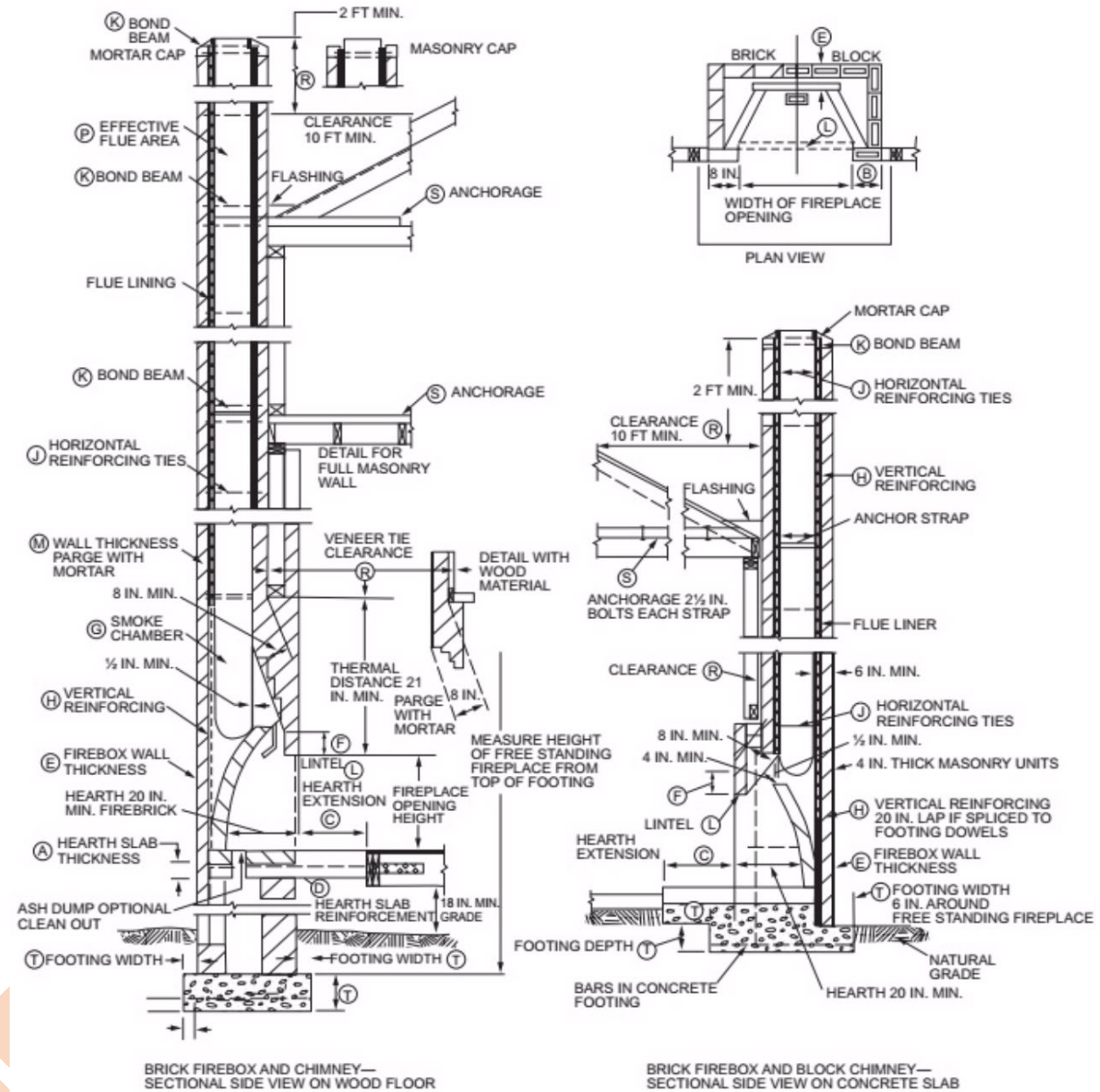
**TABLE R1001.1  
SUMMARY OF REQUIREMENTS FOR MASONRY FIREPLACES AND CHIMNEYS**

ITEM	LETTER <sup>a</sup>	REQUIREMENTS
Hearth slab thickness	A	4"
Hearth extension (each side of opening)	B	8" fireplace opening < 6 square feet. 12" fireplace opening ≥ 6 square feet.
Hearth extension (front of opening)	C	16" fireplace opening < 6 square feet. 20" fireplace opening ≥ 6 square feet.
Hearth slab reinforcing	D	Reinforced to carry its own weight and all imposed loads.
Thickness of wall of firebox	E	10" solid brick or 8" where a firebrick lining is used. Joints in firebrick 1/4" maximum.
Distance from top of opening to throat	F	8"
Smoke chamber wall thickness Unlined walls	G	6" 8"
Chimney Vertical reinforcing <sup>b</sup>	H	Four No. 4 full-length bars for chimney up to 40" wide. Add two No. 4 bars for each additional 40" or fraction of width or each additional flue.
Horizontal reinforcing	J	1/4" ties at 18" and two ties at each bend in vertical steel.
Bond beams	K	No specified requirements.
Fireplace lintel	L	Noncombustible material.
Chimney walls with flue lining	M	Solid masonry units or hollow masonry units grouted solid with not less than 4-inch nominal thickness.
Distances between adjacent flues	—	See Section R1003.13.
Effective flue area (based on area of fireplace opening)	P	See Section R1003.15.
Clearances Combustible material Mantel and trim Above roof	R	See Sections R1001.11 and R1003.18. See Section R1001.11, Exception 4. 3' at roofline and 2' at 10'.
Anchorage <sup>b</sup> Strap Number Embed into chimney Fasten to Bolts	S	3/16" x 1" Two 12" hooked around outer bar with 6" extension. 4 joists Two 1/2" diameter.
Footing Thickness Width	T	12" min. 6" each side of fireplace wall.

For SI: 1 inch = 25.4 mm, 1 foot = 304.8 mm, 1 square foot = 0.0929 m<sup>2</sup>.

**Note:** This table provides a summary of major requirements for the construction of masonry chimneys and fireplaces. Letter references are to Figure R1001.1, which shows examples of typical construction. This table does not cover all requirements, nor does it cover all aspects of the indicated requirements. For the actual mandatory requirements of the code, see the indicated section of text.

- a. The letters refer to Figure R1001.1.
- b. Not required in Seismic Design Category A, B or C.



For SI: 1 inch = 25.4 mm, 1 foot = 304.8 mm.

Note: Letter designations H, J and S are not applicable in Massachusetts.

**FIGURE R1001.1  
FIREPLACE AND CHIMNEY DETAILS**

### **R1001.2 Footings and foundations.**

Footings for masonry fireplaces and their chimneys shall be constructed of concrete or *solid masonry* not less than 12 inches (305 mm) thick and shall extend not less than 6 inches (152 mm) beyond the face of the fireplace or foundation wall on all sides. Footings shall be founded on natural, undisturbed earth or engineered fill below frost depth. In areas not subjected to freezing, footings shall be not less than 12 inches (305 mm) below finished *grade*.

#### **R1001.2.1 Ash dump cleanout.**

Cleanout openings located within foundation walls below fireboxes, where provided, shall be equipped with ferrous metal or masonry doors and frames constructed to remain tightly closed except when in use. Cleanouts shall be located to allow access so that ash removal will not create a hazard to *combustible materials*.

### **R1001.3 Seismic reinforcing.**

Masonry or concrete chimneys in Seismic Design Category  $D_0$ ,  $D_1$  or  $D_2$  shall be reinforced. Reinforcing shall conform to the requirements set forth in Table R1001.1 and Section R606.

#### **R1001.3.1 Vertical reinforcing.**

For chimneys up to 40 inches (1016 mm) wide, four No. 4 continuous vertical bars shall be placed between wythes of *solid masonry* or within the cells of hollow unit masonry and grouted in accordance with Section R606. Grout shall be prevented from bonding with the flue liner so that the flue liner is free to move with thermal expansion. For chimneys more than 40 inches (1016 mm) wide, two additional No. 4 vertical bars shall be provided for each additional flue incorporated into the chimney or for each additional 40 inches (1016 mm) in width or fraction thereof.

#### **R1001.3.2 Horizontal reinforcing.**

Vertical reinforcement shall be placed within  $\frac{1}{4}$ -inch (6.4 mm) ties, or other reinforcing of equivalent net cross-sectional area, placed in the bed joints in accordance with Section R606 at not less than every 18 inches (457 mm) of vertical height. Two such ties shall be installed at each bend in the vertical bars.

### **R1001.4 Seismic anchorage.**

Masonry or concrete chimneys in Seismic Design Category  $D_0$ ,  $D_1$  or  $D_2$  shall be anchored at each floor, ceiling or roof line more than 6 feet (1829 mm) above *grade*, except where constructed completely within the exterior walls. Anchorage shall conform to the requirements of Section R1001.4.1.

#### **R1001.4.1 Anchorage.**

Two  $\frac{3}{16}$ -inch by 1-inch (5 mm by 25 mm) straps shall be embedded not less than 12 inches (305 mm) into the chimney. Straps shall be hooked around the outer bars and extend 6 inches (152 mm) beyond the bend. Each strap shall be fastened to not less than four floor ceiling or floor joists or rafters with two  $\frac{1}{2}$ -inch (12.7 mm) bolts.

##### **R1001.4.1.1 Cold-formed steel framing.**

Where cold-formed steel framing is used, the location where the  $\frac{1}{2}$ -inch (12.7 mm)

bolts are used to attach the straps to the framing shall be reinforced with not less than a 3-inch × 3-inch × 0.229-inch (76 mm × 76 mm × 5.8 mm) steel plate on top of the strap that is screwed to the framing with not fewer than seven No. 6 screws for each bolt.

### **R1001.5 Firebox walls.**

Masonry fireboxes shall be constructed of *solid masonry* units, *hollow masonry units* grouted solid, stone or concrete. Where a lining of firebrick not less than 2 inches (51 mm) thick or other *approved* lining is provided, the minimum thickness of back and sidewalls shall each be 8 inches (203 mm) of *solid masonry*, including the lining. The width of joints between firebricks shall not be greater than  $\frac{1}{4}$  inch (6.4 mm). Where a lining is not provided, the total minimum thickness of back and side walls shall be 10 inches (254 mm) of *solid masonry*. Firebrick shall conform to ASTM C27 or C1261 and shall be laid with medium- duty refractory mortar conforming to ASTM C199.

#### **R1001.5.1 Steel fireplace units.**

Installation of steel fireplace units with *solid masonry* to form a masonry fireplace is permitted where installed either in accordance with the requirements of their listing or the requirements of this section. Steel fireplace units incorporating a steel firebox lining shall be constructed with steel not less than  $\frac{1}{4}$  inch (6.4 mm) thick, and an air-circulating chamber that is ducted to the interior of the building. The firebox lining shall be encased with *solid masonry* to provide a total thickness at the back and sides of not less than 8 inches (203 mm), of which not less than 4 inches (102 mm) shall be of *solid masonry* or concrete. Circulating air ducts used with steel fireplace units shall be constructed of metal or masonry.

### **R1001.6 Firebox dimensions.**

The firebox of a concrete or masonry fireplace shall have a depth of not less than 20 inches (508 mm). The throat shall be not less than 8 inches (203 mm) above the fireplace opening. The throat opening shall be not less than 4 inches (102 mm) deep. The cross-sectional area of the passageway above the firebox, including the throat, damper and smoke chamber, shall be not less than the cross-sectional area of the flue.

**Exception:** Rumford fireplaces shall be permitted provided that the depth of the fireplace is not less than 12 inches (305 mm) and not less than one-third of the width of the fireplace opening, that the throat is not less than 12 inches (305 mm) above the lintel and is not less than one-twentieth the cross-sectional area of the fireplace opening.

### **R1001.7 Lintel and throat.**

Masonry over a fireplace opening shall be supported by a lintel of *noncombustible material*. The minimum required bearing length on each end of the fireplace opening shall be 4 inches (102 mm). The fireplace throat or damper shall be located not less than 8 inches (203 mm) above the lintel.

#### **R1001.7.1 Damper.**

Masonry fireplaces shall be equipped with a ferrous metal damper located not less than 8 inches (203 mm) above the top of the fireplace opening. Dampers shall be installed in the fireplace or the chimney venting the fireplace, and shall be operable from the room containing the fireplace.

### **R1001.8 Smoke chamber.**

Smoke chamber walls shall be constructed of *solid masonry* units, *hollow masonry units* grouted solid, stone or concrete. The total minimum thickness of front, back and side walls shall be 8 inches (203 mm) of *solid masonry*. The inside surface shall be parged smooth with refractory mortar conforming to ASTM C199. Where a lining of firebrick not less than 2 inches (51 mm) thick, or a lining of vitrified clay not less than  $\frac{5}{8}$  inch (16 mm) thick, is provided, the total minimum thickness of front, back and side walls shall be 6 inches (152 mm) of *solid masonry*, including the lining. Firebrick shall conform to ASTM C1261 and shall be laid with medium-duty refractory mortar conforming to ASTM C199. Vitrified clay linings shall conform to ASTM C315.

#### **R1001.8.1 Smoke chamber dimensions.**

The inside height of the smoke chamber from the fireplace throat to the beginning of the flue shall not be greater than the inside width of the fireplace opening. The inside surface of the smoke chamber shall not be inclined more than 45 degrees (0.79 rad) from vertical where prefabricated smoke chamber linings are used or where the smoke chamber walls are rolled or sloped rather than corbeled. Where the inside surface of the smoke chamber is formed by corbeled masonry, the walls shall not be corbeled more than 30 degrees (0.52 rad) from vertical.

### **R1001.9 Hearth and hearth extension.**

Masonry fireplace hearths and hearth extensions shall be constructed of concrete or masonry, supported by *noncombustible materials*, and reinforced to carry their own weight and all imposed loads. *Combustible material* shall not remain against the underside of hearths and hearth extensions after construction.

#### **R1001.9.1 Hearth thickness.**

The minimum thickness of fireplace hearths shall be 4 inches (102 mm).

#### **R1001.9.2 Hearth extension thickness.**

The minimum thickness of hearth extensions shall be 2 inches (51 mm).

**Exception:** Where the bottom of the firebox opening is raised not less than 8 inches (203 mm) above the top of the hearth extension, a hearth extension of not less than  $\frac{3}{8}$  inch-thick (10 mm) brick, concrete, stone, tile or other *approved noncombustible material* is permitted.

### **R1001.10 Hearth extension dimensions.**

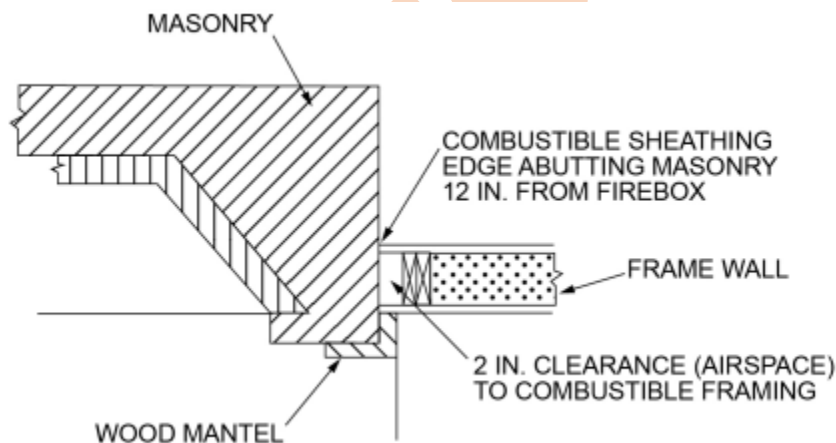
Hearth extensions shall extend not less than 16 inches (406 mm) in front of and not less than 8 inches (203 mm) beyond each side of the fireplace opening. Where the fireplace opening is 6 square feet ( $0.6 \text{ m}^2$ ) or larger, the hearth extension shall extend not less than 20 inches (508 mm) in front of and not less than 12 inches (305 mm) beyond each side of the fireplace opening.

### **R1001.11 Fireplace clearance.**

Wood beams, joists, studs and other *combustible material* shall have a clearance of not less than 2 inches (51 mm) from the front faces and sides of masonry fireplaces and not less than 4 inches (102 mm) from the back faces of masonry fireplaces. The airspace shall not be filled, except to provide fireblocking in accordance with Section R1001.12.

### Exceptions:

1. Masonry fireplaces *listed* and *labeled* for use in contact with combustibles in accordance with UL 127 and installed in accordance with the manufacturer's instructions are permitted to have *combustible material* in contact with their exterior surfaces.
2. Where masonry fireplaces are part of masonry or concrete walls, *combustible materials* shall not be in contact with the masonry or concrete walls less than 12 inches (306 mm) from the inside surface of the nearest firebox lining.
3. Exposed combustible *trim* and the edges of sheathing materials such as wood siding, flooring and gypsum board shall be permitted to abut the masonry fireplace sidewalls and hearth extension in accordance with Figure R1001.11, provided such combustible *trim* or sheathing is not less than 12 inches (305 mm) from the inside surface of the nearest firebox lining.
4. Exposed combustible mantels or *trim* is permitted to be placed directly on the masonry fireplace front surrounding the fireplace opening providing such *combustible materials* are not placed within 6 inches (152 mm) of a fireplace opening. *Combustible material* within 12 inches (306 mm) of the fireplace opening shall not project more than  $\frac{1}{8}$  inch (3 mm) for each 1-inch (25 mm) distance from such an opening.



For SI: 1 inch = 25.4 mm.

**FIGURE R1001.11  
CLEARANCE FROM COMBUSTIBLES**

### **R1001.12 Fireplace fireblocking.**

Fireplace fireblocking shall comply with the provisions of Section R602.8.

### **R1001.13 Fireplace accessories.**

*Listed* and *labeled* fireplace accessories shall be installed in accordance with the conditions of the listing and the manufacturer's instructions. Fireplace accessories shall comply with UL 907.

## SECTION R1002 MASONRY HEATERS

### R1002.1 Definition.

A *masonry heater* is a heating *appliance* constructed of concrete or *solid masonry*, hereinafter referred to as masonry, that is designed to absorb and store heat from a solid-fuel fire built in the firebox by routing the exhaust gases through internal heat exchange channels in which the flow path downstream of the firebox includes flow in a horizontal or downward direction before entering the chimney and that delivers heat by radiation from the masonry surface of the heater.

### R1002.2 Installation.

*Masonry heaters* shall be installed in accordance with this section and comply with one of the following:

1. *Masonry heaters* shall comply with the requirements of ASTM E1602.
2. *Masonry heaters* shall be *listed* and *labeled* in accordance with UL 1482 or CEN 15250 and installed in accordance with the manufacturer's instructions.

### R1002.3 Footings and foundation.

The firebox floor of a *masonry heater* shall be a minimum thickness of 4 inches (102 mm) of *noncombustible material* and be supported on a noncombustible footing and foundation in accordance with Section R1003.2.

### R1002.4 Seismic reinforcing.

In *Seismic Design Categories*  $D_0$ ,  $D_1$  and  $D_2$ , *masonry heaters* shall be anchored to the masonry foundation in accordance with Section R1003.3. Seismic reinforcing shall not be required within the body of a *masonry heater* whose height is equal to or less than 3.5 times its body width and where the *masonry chimney* serving the heater is not supported by the body of the heater. Where the *masonry chimney* shares a common wall with the facing of the *masonry heater*, the chimney portion of the structure shall be reinforced in accordance with Section R1003.

### R1002.5 Masonry heater clearance.

*Combustible materials* shall not be placed within 36 inches (914 mm) of the outside surface of a *masonry heater* in accordance with NFPA 211 Section 8-7 (clearances for solid-fuel-burning *appliances*), and the required space between the heater and *combustible material* shall be fully vented to permit the free flow of air around all heater surfaces.

### Exceptions:

1. Where the *masonry heater* wall is not less than 8 inches (203 mm) thick of *solid masonry* and the wall of the heat exchange channels is not less than 5 inches (127 mm) thick of *solid masonry*, *combustible materials* shall not be placed within 4 inches (102 mm) of the outside surface of a *masonry heater*. A clearance of not less than 8 inches (203 mm) shall be provided between the gas-tight capping slab of the heater and a combustible ceiling.

2. *Masonry heaters listed and labeled* in accordance with UL 1482 or CEN 15250 shall be installed in accordance with the listing specifications and the manufacturer's written instructions.

## SECTION R1003 MASONRY CHIMNEYS

### **R1003.1 Definition.**

A *masonry chimney* is a chimney constructed of *solid masonry units*, *hollow masonry units* grouted solid, stone or concrete, hereinafter referred to as masonry. *Masonry chimneys* shall be constructed, anchored, supported and reinforced as required in this chapter.

### **R1003.2 Footings and foundations.**

Footings for *masonry chimneys* shall be constructed of concrete or *solid masonry* not less than 12 inches (305 mm) thick and shall extend not less than 6 inches (152 mm) beyond the face of the foundation or support wall on all sides. Footings shall be founded on natural undisturbed earth or engineered fill below frost depth. In areas not subjected to freezing, footings shall be not less than 12 inches (305 mm) below finished *grade*.

### **R1003.3 Seismic reinforcing.**

Masonry or concrete chimneys shall be constructed, anchored, supported and reinforced as required in this chapter. In Seismic Design Category  $D_0$ ,  $D_1$  or  $D_2$  masonry and concrete chimneys shall be reinforced and anchored as detailed in Sections R1003.3.1, R1003.3.2 and R1003.4. In Seismic Design Category A, B or C, reinforcement and seismic anchorage are not required.

#### **R1003.3.1 Vertical reinforcing.**

For chimneys up to 40 inches (1016 mm) wide, four No. 4 continuous vertical bars, anchored in the foundation, shall be placed in the concrete, or between wythes of *solid masonry*, or within the cells of hollow unit masonry, and grouted in accordance with Section R608.1.1. Grout shall be prevented from bonding with the flue liner so that the flue liner is free to move with thermal expansion. For chimneys more than 40 inches (1016 mm) wide, two additional No. 4 vertical bars shall be installed for each additional 40 inches (1016 mm) in width or fraction thereof.

#### **R1003.3.2 Horizontal reinforcing.**

Vertical reinforcement shall be placed enclosed within  $\frac{1}{4}$ -inch (6.4 mm) ties, or other reinforcing of equivalent net cross-sectional area, spaced not to exceed 18 inches (457 mm) on center in concrete, or placed in the bed joints of unit masonry, at not less than every 18 inches (457 mm) of vertical height. Two such ties shall be installed at each bend in the vertical bars.

### **R1003.4 Seismic anchorage.**

Masonry and concrete chimneys and foundations in Seismic Design Category  $D_0$ ,  $D_1$  or  $D_2$  shall be anchored at each floor, ceiling or roof line more than 6 feet (1829 mm) above *grade*, except where constructed completely within the exterior walls. Anchorage shall conform to the requirements in Section R1003.4.1.



#### **R1003.4.1 Anchorage.**

Two  $\frac{3}{16}$ -inch by 1-inch (5 mm by 25 mm) straps shall be embedded not less than 12 inches (305 mm) into the chimney. Straps shall be hooked around the outer bars and extend 6 inches (152 mm) beyond the bend. Each strap shall be fastened to not less than four floor joists with two  $\frac{1}{2}$ -inch (12.7 mm) bolts.

##### **R1003.4.1.1 Cold-formed steel framing.**

Where cold-formed steel framing is used, the location where the  $\frac{1}{2}$ -inch (12.7 mm) bolts are used to attach the straps to the framing shall be reinforced with not less than a 3-inch  $\times$  3-inch  $\times$  0.229-inch (76 mm  $\times$  76 mm  $\times$  5.8 mm) steel plate on top of a strap that is screwed to the framing with not fewer than seven No. 6 screws for each bolt.

#### **R1003.5 Corbeling.**

*Masonry chimneys* shall not be corbeled more than one-half of the chimney's wall thickness from a wall or foundation, nor shall a chimney be corbeled from a wall or foundation that is less than 12 inches (305 mm) thick unless it projects equally on each side of the wall, except that on the second *story* of a two-story *dwelling*, corbeling of chimneys on the exterior of the enclosing walls shall be permitted to be equal to the wall thickness. The projection of a single course shall not exceed one-half the unit height or one-third of the unit bed depth, whichever is less.

#### **R1003.6 Changes in dimension.**

The chimney wall or chimney flue lining shall not change in size or shape within 6 inches (152 mm) above or below where the chimney passes through floor components, ceiling components or roof components.

#### **R1003.7 Offsets.**

Where a *masonry chimney* is constructed with a fireclay flue liner surrounded by one wythe of masonry, the maximum offset shall be such that the centerline of the flue above the offset does not extend beyond the center of the chimney wall below the offset. Where the chimney offset is supported by masonry below the offset in an *approved* manner, the maximum offset limitations shall not apply. Each individual corbeled masonry course of the offset shall not exceed the projection limitations specified in Section R1003.5.

#### **R1003.8 Additional load.**

Chimneys shall not support loads other than their own weight unless they are designed and constructed to support the additional load. Construction of *masonry chimneys* as part of the masonry walls or reinforced concrete walls of the building shall be permitted.

#### **R1003.9 Termination.**

Chimneys shall extend not less than 2 feet (610 mm) higher than any portion of a building within 10 feet (3048 mm), but shall be not less than 3 feet (914 mm) above the highest point where the chimney passes through the roof.

##### **R1003.9.1 Chimney caps.**

*Masonry chimneys* shall have a concrete, metal or stone cap, a drip edge and a caulked bond break around any flue liners in accordance with ASTM C1283. The concrete, metal or stone cap shall be sloped to shed water.

### **R1003.9.2 Spark arrestors.**

Where a spark arrestor is installed on a *masonry chimney*, the spark arrestor shall meet all of the following requirements:

1. The net free area of the arrestor shall be not less than four times the net free area of the outlet of the chimney flue it serves.
2. The arrestor screen shall have heat and corrosion resistance equivalent to 19-gage galvanized steel or 24-gage stainless steel.
3. Openings shall not permit the passage of spheres having a diameter greater than  $\frac{1}{2}$  inch (12.7 mm) nor block the passage of spheres having a diameter less than  $\frac{3}{8}$  inch (9.5 mm).
4. The spark arrestor shall be located with access for cleaning and the screen or chimney cap shall be removable to allow for cleaning of the chimney flue.

### **R1003.9.3 Rain caps.**

Where a masonry or metal rain cap is installed on a *masonry chimney*, the net free area under the cap shall be not less than four times the net free area of the outlet of the chimney flue it serves.

### **R1003.10 Wall thickness.**

*Masonry chimney* walls shall be constructed of *solid masonry* units or *hollow masonry units* grouted solid with not less than a 4-inch (102 mm) nominal thickness.

#### **R1003.10.1 Masonry veneer chimneys.**

Where masonry is used to veneer a frame chimney, through-flashing and weep holes shall be installed as required by Section R703.

### **R1003.11 Flue lining (material).**

*Masonry chimneys* shall be lined. The lining material shall be appropriate for the type of *appliance* connected, in accordance with the terms of the *appliance* listing and manufacturer's instructions.

#### **R1003.11.1 Residential-type appliances (general).**

Flue lining systems shall comply with one of the following:

1. Clay flue lining complying with the requirements of ASTM C315.
2. *Listed* and *labeled* chimney lining systems complying with UL 1777.
3. Factory-built chimneys or chimney units *listed* for installation within *masonry chimneys*.
4. Other *approved* materials that will resist corrosion, erosion, softening or cracking from flue gases and condensate at temperatures up to 1,800°F (982°C).

### **R1003.11.2 Flue linings for specific appliances.**

Flue linings other than these covered in Section R1003.11.1, intended for use with specific types of *appliances*, shall comply with Sections R1003.11.3 through R1003.11.6.

### **R1003.11.3 Gas appliances.**

Flue lining systems for gas *appliances* shall be in accordance with Chapter 24.

### **R1003.11.4 Pellet fuel-burning appliances.**

Flue lining and vent systems for use in *masonry chimneys* with pellet fuel-burning *appliances* shall be limited to the following:

1. Flue lining systems complying with Section R1003.11.1.
2. Pellet vents *listed* for installation within *masonry chimneys* (see Section R1003.11.6 for marking).

### **R1003.11.5 Oil-fired appliances approved for use with Type L vent.**

Flue lining and vent systems for use in *masonry chimneys* with oil-fired *appliances approved* for use with Type L vent shall be limited to the following:

1. Flue lining systems complying with Section R1003.11.1.
2. *Listed* chimney liners complying with UL 641 (see Section R1003.11.6 for marking).

### **R1003.11.6 Notice of usage.**

Where a flue is relined with a material not complying with Section R1003.11.1, the chimney shall be plainly and permanently identified by a *label* attached to a wall, ceiling or other conspicuous location adjacent to where the connector enters the chimney. The *label* shall include the following message or equivalent language:

THIS CHIMNEY FLUE IS FOR USE ONLY WITH [TYPE OR CATEGORY OF APPLIANCE] APPLIANCES THAT BURN [TYPE OF FUEL]. DO NOT CONNECT OTHER TYPES OF APPLIANCES.

### **R1003.12 Clay flue lining (installation).**

Clay flue liners shall be installed in accordance with ASTM C1283 and extend from a point not less than 8 inches (203 mm) below the lowest inlet or, in the case of fireplaces, from the top of the smoke chamber to a point above the enclosing walls. The lining shall be carried up vertically, with a slope not greater than 30 degrees (0.52 rad) from the vertical.

Clay flue liners shall be laid in medium-duty water insoluble refractory mortar conforming to ASTM C199 with tight mortar joints left smooth on the inside and installed to maintain an airspace or insulation not to exceed the thickness of the flue liner separating the flue liners from the interior face of the chimney masonry walls. Flue liners shall be supported on all sides. Only enough mortar shall be placed to make the joint and hold the liners in position.

#### **R1003.12.1 Listed materials.**

*Listed* materials used as flue linings shall be installed in accordance with the terms of their listings and manufacturer's instructions.

**R1003.12.2 Space around lining.**

The space surrounding a chimney lining system or vent installed within a *masonry chimney* shall not be used to vent any other *appliance*.

**Exception:** This shall not prevent the installation of a separate flue lining in accordance with the manufacturer’s instructions.

**R1003.13 Multiple flues.**

Where two or more flues are located in the same chimney, masonry wythes shall be built between adjacent flue linings. The masonry wythes shall be not less than 4 inches (102 mm) thick and bonded into the walls of the chimney.

**Exception:** Where venting only one *appliance*, two flues shall be permitted to adjoin each other in the same chimney with only the flue lining separation between them. The joints of the adjacent flue linings shall be staggered not less than 4 inches (102 mm).

**R1003.14 Flue area (appliance).**

Chimney flues shall not be smaller in area than that of the area of the connector from the *appliance* [see Tables R1003.14(1) and R1003.14(2)]. The sizing of a chimney flue to which multiple *appliance* venting systems are connected shall be in accordance with Section M1805.3.

**TABLE R1003.14(1)  
NET CROSS-SECTIONAL AREA OF ROUND FLUE SIZES<sup>a</sup>**

FLUE SIZE, INSIDE DIAMETER (inches)	CROSS-SECTIONAL AREA (square inches)
6	28
7	38
8	50
10	78
10 <sup>3</sup> / 4	90
12	113
15	176
18	254

For SI: 1 inch = 25.4 mm, 1 square inch = 645.16 mm<sup>2</sup>.

a. Flue sizes are based on ASTM C315.

**TABLE R1003.14(2)  
NET CROSS-SECTIONAL AREA OF  
SQUARE AND RECTANGULAR FLUE SIZES**

FLUE SIZE, OUTSIDE NOMINAL DIMENSIONS (inches)	CROSS-SECTIONAL AREA (square inches)
4.5 × 8.5	23
4.5 × 13	34
8 × 8	42
8.5 × 8.5	49
8 × 12	67
8.5 × 13	76
12 × 12	102
8.5 × 18	101
13 × 13	127
12 × 16	131
13 × 18	173
16 × 16	181
16 × 20	222
18 × 18	233
20 × 20	298
20 × 24	335
24 × 24	431

For SI: 1 inch = 25.4 mm, 1 square inch = 645.16 mm<sup>2</sup>.

**R1003.15 Flue area (masonry fireplace).**

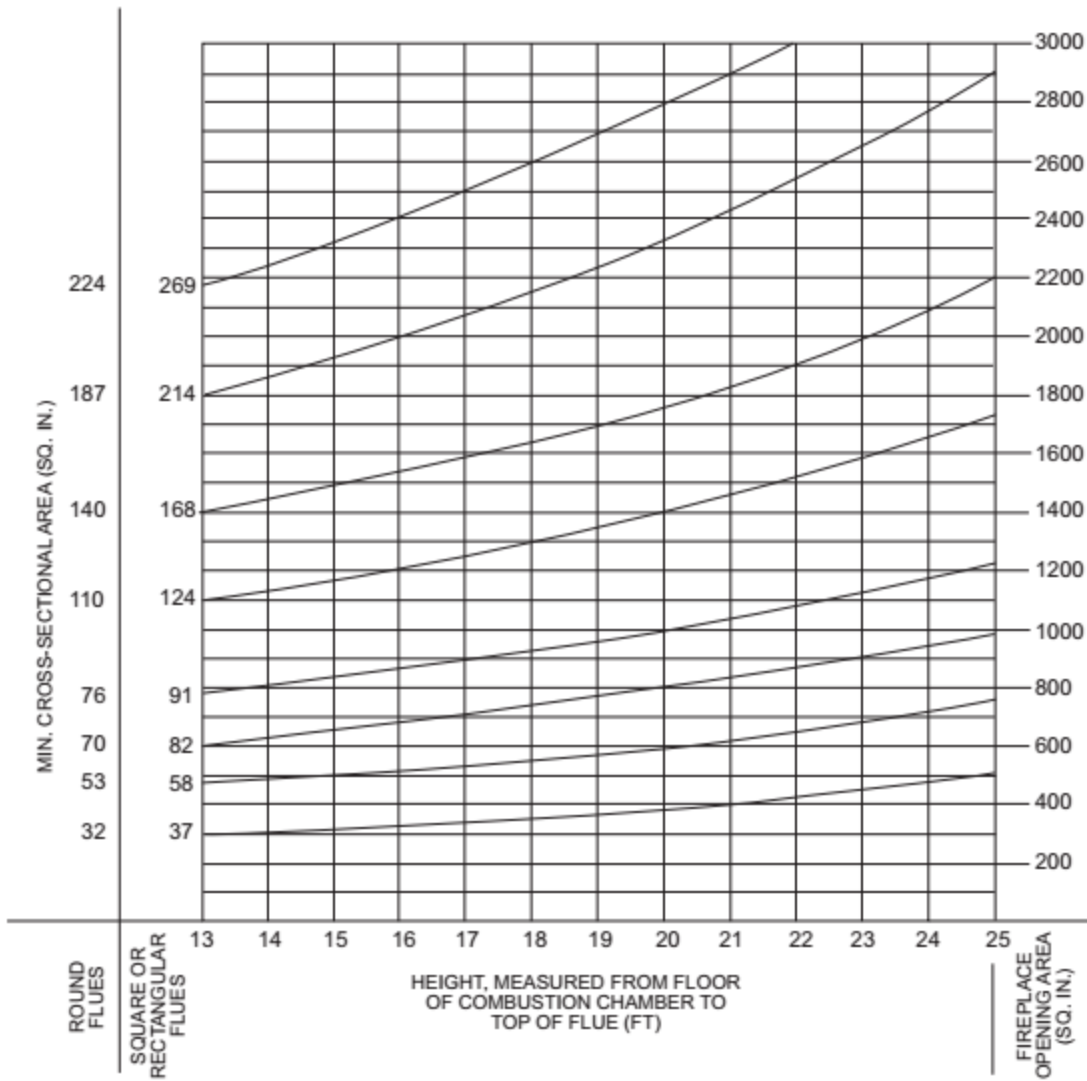
Flue sizing for chimneys serving fireplaces shall be in accordance with Section R1003.15.1 or R1003.15.2.

**R1003.15.1 Option 1.**

Round chimney flues shall have a minimum net cross-sectional area of not less than one-twelfth of the fireplace opening. Square chimney flues shall have a minimum net cross-sectional area of one-tenth of the fireplace opening. Rectangular chimney flues with an *aspect ratio* less than 2 to 1 shall have a minimum net cross-sectional area of one-tenth of the fireplace opening. Rectangular chimney flues with an *aspect ratio* of 2 to 1 or more shall have a minimum net cross-sectional area of one-eighth of the fireplace opening. Cross-sectional areas of clay flue linings are shown in Tables R1003.14(1) and R1003.14(2) or as provided by the manufacturer or as measured in the field.

**R1003.15.2 Option 2.**

The minimum net cross-sectional area of the chimney flue shall be determined in accordance with Figure R1003.15.2. A flue size providing not less than the equivalent net cross-sectional area shall be used. Cross-sectional areas of clay flue linings are shown in Tables R1003.14(1) and R1003.14(2) or as provided by the manufacturer or as measured in the field. The height of the chimney shall be measured from the firebox floor to the top of the chimney flue.



For SI: 1 foot = 304.8 mm, 1 square inch = 645.16 mm<sup>2</sup>.

**FIGURE R1003.15.2  
FLUE SIZES FOR MASONRY CHIMNEYS**

**R1003.16 Inlet.**

Inlets to *masonry chimneys* shall enter from the side. Inlets shall have a thimble of fireclay, rigid refractory material or metal that will prevent the connector from pulling out of the inlet or from extending beyond the wall of the liner.

**R1003.17 Masonry chimney cleanout openings.**

Cleanout openings shall be provided within 6 inches (152 mm) of the base of each flue within every *masonry chimney*. The upper edge of the cleanout shall be located not less than 6 inches (152 mm) below the lowest chimney inlet opening. The height of the opening shall be not less than 6 inches (152 mm). The cleanout shall be provided with a noncombustible cover.

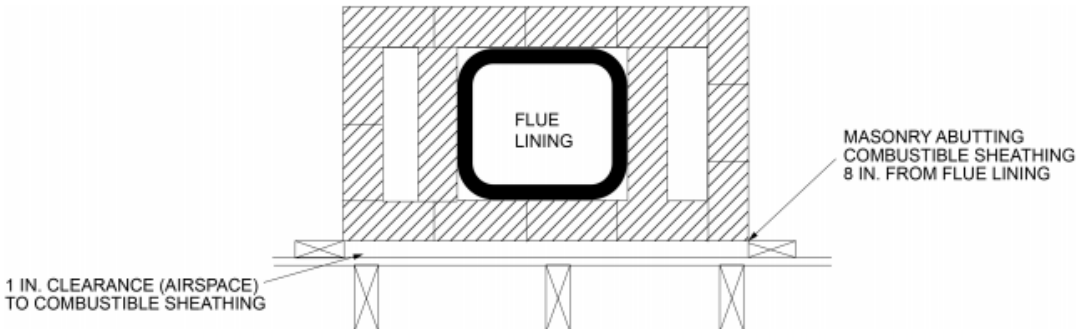
**Exception:** Chimney flues serving masonry fireplaces where cleaning is possible through the fireplace opening.

### R1003.18 Chimney clearances.

Any portion of a *masonry chimney* located in the interior of the building or within the exterior wall of the building shall have a minimum airspace clearance to combustibles of 2 inches (51 mm). Chimneys located entirely outside the exterior walls of the building, including chimneys that pass through the soffit or cornice, shall have a minimum airspace clearance of 1 inch (25 mm). The airspace shall not be filled, except to provide fire blocking in accordance with Section R1003.19.

#### Exceptions:

1. *Masonry chimneys* equipped with a chimney lining system *listed* and *labeled* for use in chimneys in contact with combustibles in accordance with UL 1777 and installed in accordance with the manufacturer's instructions are permitted to have *combustible material* in contact with their exterior surfaces.
2. Where *masonry chimneys* are constructed as part of masonry or concrete walls, *combustible materials* shall not be in contact with the masonry or concrete wall less than 12 inches (305 mm) from the inside surface of the nearest flue lining.
3. Exposed combustible *trim* and the edges of sheathing materials, such as wood siding and flooring, shall be permitted to abut the *masonry chimney* side walls, in accordance with Figure R1003.18, provided such combustible trim or sheathing is not less than 8 inches (203 mm) from the inside surface of the nearest flue lining.



For SI: 1 inch = 25.4 mm.

**FIGURE R1003.18  
CLEARANCE FROM COMBUSTIBLES**

### R1003.19 Chimney fireblocking.

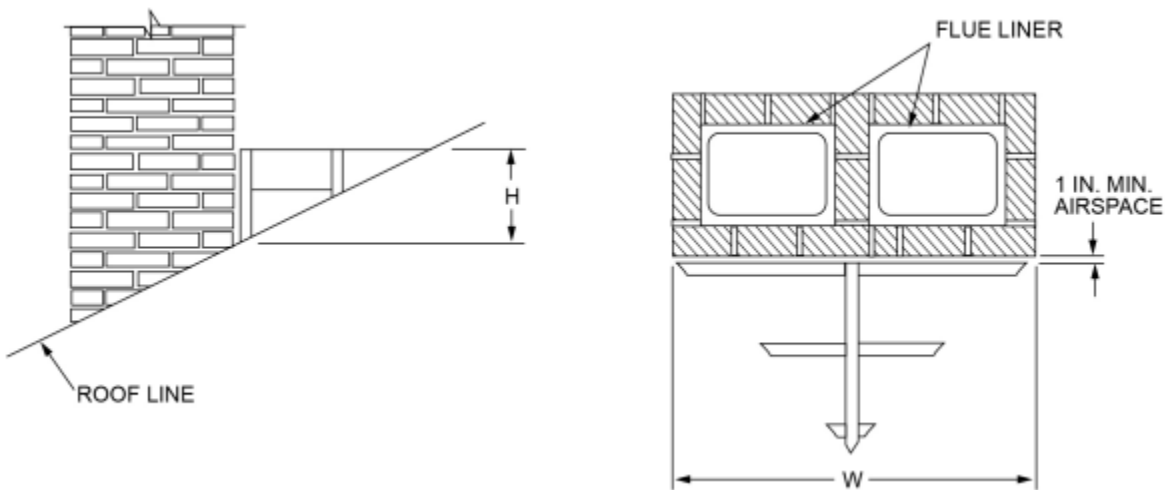
Spaces between chimneys and floors and ceilings through which chimneys pass shall be fireblocked with *noncombustible material* securely fastened in place. The fireblocking of spaces between chimneys and wood joists, beams or headers shall be self-supporting or be placed on strips of metal or metal lath laid across the spaces between *combustible material* and the chimney.

### R1003.20 Chimney crickets.

Chimneys shall be provided with crickets where the dimension parallel to the ridgeline is greater than 30 inches (762 mm) and does not intersect the ridgeline. The intersection of the cricket and the chimney shall be flashed and counterflashed in the same manner as normal roof-chimney intersections. Crickets shall be constructed in compliance with Figure R1003.20 and Table R1003.20.

**TABLE R1003.20  
CRICKET DIMENSIONS**

ROOF SLOPE	H
12:12	$\frac{1}{2}$ of W
8:12	$\frac{1}{3}$ of W
6:12	$\frac{1}{4}$ of W
4:12	$\frac{1}{6}$ of W
3:12	$\frac{1}{8}$ of W



**FIGURE R1003.20  
CHIMNEY CRICKET**

For SI: 1 inch = 25.4 mm.

## **SECTION R1004 FACTORY-BUILT FIREPLACES**

### R1004.1 General.

Factory-built fireplaces shall be *listed* and *labeled* and shall be installed in accordance with the conditions of the *listing*. Factory-built fireplaces shall be tested in accordance with UL 127.



#### **R1004.2 Hearth extensions.**

Hearth extensions of *approved* factory-built fireplaces shall be installed in accordance with the *listing* of the fireplace. The hearth extension shall be readily distinguishable from the surrounding floor area. *Listed* and *labeled* hearth extensions shall comply with UL 1618.

#### **R1004.3 Decorative shrouds.**

Decorative shrouds shall not be installed at the termination of chimneys for factory-built fireplaces except where the shrouds are *listed* and *labeled* for use with the specific factory-built fireplace system and installed in accordance with the manufacturer's instructions.

#### **R1004.4 Unvented gas log heaters.**

An unvented gas log heater shall not be installed in a factory-built fireplace unless the fireplace system has been specifically tested, *listed* and *labeled* for such use in accordance with UL 127.

#### **R1004.5 Gasketed fireplace doors.**

A gasketed fireplace door shall not be installed on a factory-built fireplace except where the fireplace system has been specifically tested, *listed* and *labeled* for such use in accordance with UL 127.

### **SECTION R1005 FACTORY-BUILT CHIMNEYS**

#### **R1005.1 Listing.**

*Factory-built chimneys* shall be *listed* and *labeled* and shall be installed and terminated in accordance with the *manufacturer's installation instructions*.

#### **R1005.2 Decorative shrouds.**

Decorative shrouds shall not be installed at the termination of *factory-built chimneys* except where the shrouds are *listed* and *labeled* for use with the specific *factory-built chimney* system and installed in accordance with the *manufacturer's installation instructions*.

#### **R1005.3 Solid-fuel appliances.**

*Factory-built chimneys* installed in *dwelling units* with solid-fuel-burning *appliances* shall comply with the Type HT requirements of UL 103 and shall be marked "Type HT" and "Residential Type and Building Heating Appliance Chimney."

**Exception:** *Chimneys* for use with open combustion chamber fireplaces shall comply with the requirements of UL 103 and shall be marked "Residential Type and Building Heating Appliance Chimney."

*Chimneys* for use with open combustion chamber *appliances* installed in buildings other than *dwelling units* shall comply with the requirements of UL 103 and shall be marked "Building Heating Appliance Chimney" or "Residential Type and Building Heating Appliance Chimney."

#### **R1005.4 Factory-built fireplaces.**

*Chimneys* for use with factory-built fireplaces shall comply with the requirements of UL 127.

#### **R1005.5 Support.**

Where *factory-built chimneys* are supported by structural members, such as joists and rafters, those members shall be designed to support the additional load.

**R1005.6 Medium-heat appliances.**

*Factory-built chimneys* for medium-heat *appliances* producing flue gases having a temperature above 1,000°F (538°C), measured at the entrance to the *chimney*, shall comply with UL 959.

**R1005.7 Factory-built chimney offsets.**

Where a *factory-built chimney* assembly incorporates offsets, no part of the *chimney* shall be at an angle of more than 30 degrees (0.52 rad) from vertical at any point in the assembly and the chimney assembly shall not include more than four elbows.

**R1005.8 Insulation shield.**

Where *factory-built chimneys* pass through insulated assemblies, an insulation shield constructed of steel having a thickness of not less than 0.0187 inch (0.4712 mm) (No. 26 gage) shall be installed to provide clearance between the *chimney* and the insulation material. The clearance shall be not less than the clearance to combustibles specified by the chimney *manufacturer's installation instructions*. Where *chimneys* pass through attic space, the shield shall terminate not less than 2 inches (51 mm) above the insulation materials and shall be secured in place to prevent displacement. Insulation shields provided as part of a *listed* chimney system shall be installed in accordance with the manufacturer's installation instructions.

## SECTION R1006 EXTERIOR AIR SUPPLY

**R1006.1 Exterior air.**

Factory-built or masonry fireplaces covered in this chapter shall be equipped with an exterior air supply to ensure proper fuel combustion unless the room is mechanically ventilated and controlled so that the indoor pressure is neutral or positive.

**R1006.1.1 Factory-built fireplaces.**

Exterior *combustion air* ducts for factory-built fireplaces shall be a *listed* component of the fireplace and shall be installed in accordance with the fireplace manufacturer's instructions.

**R1006.1.2 Masonry fireplaces.**

*Listed combustion air* ducts for masonry fireplaces shall be installed in accordance with the terms of their *listing* and the manufacturer's instructions.

**R1006.2 Exterior air intake.**

The exterior air intake shall be capable of supplying all *combustion air* from the exterior of the *dwelling* or from spaces within the *dwelling* ventilated with outdoor air such as nonmechanically ventilated crawl or *attic* spaces. The exterior air intake shall not be located within the garage or *basement* of the dwelling. The exterior air intake, for other than *listed* factory-built fireplaces, shall not be located at an elevation higher than the firebox. The exterior air intake shall be covered with a corrosion-resistant screen of  $\frac{1}{4}$ -inch (6.4 mm) mesh.

**R1006.3 Clearance.**

Unlisted *combustion air* ducts shall be installed with a minimum 1-inch (25 mm) clearance to combustibles for all parts of the duct within 5 feet (1524 mm) of the duct outlet.

**R1006.4 Passageway.**

The *combustion air* passageway shall be not less than 6 square inches (3870 mm<sup>2</sup>) and not more than 55 square inches (0.035 m<sup>2</sup>), except that *combustion air* systems for *listed* fireplaces shall be constructed in accordance with the fireplace manufacturer's instructions.

**R1006.5 Outlet.**

The exterior air outlet shall be located in the back or side of the firebox chamber or shall be located outside of the firebox, at the level of the hearth and not greater than 24 inches (610 mm) from the firebox opening. The outlet shall be closable and designed to prevent burning material from dropping into concealed combustible spaces.

COPYRIGHT ICG © DRAFT