



The Commonwealth of Massachusetts
State Reclamation Board



CAPE COD GREENHEAD FLY CONTROL DISTRICT

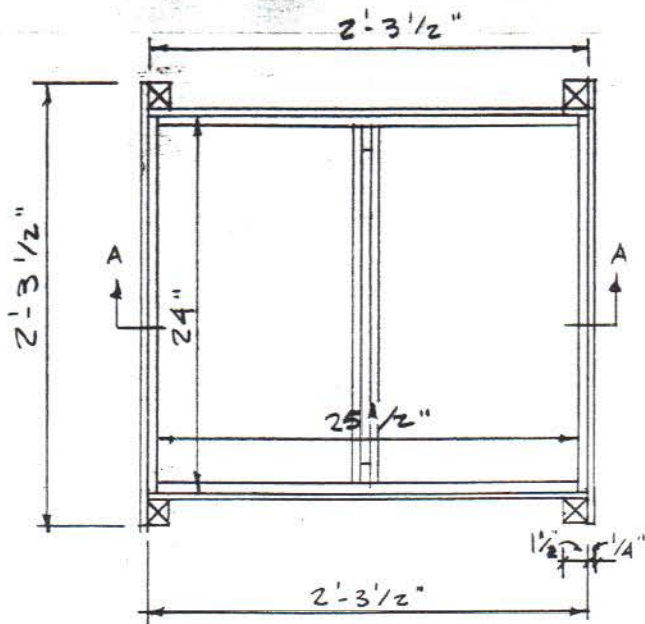
86 WILLOW STREET
YARMOUTH PORT
MASSACHUSETTS 02675

Telephone: (508) 775-1510
(508) 362-9757
Fax No. (508) 362-7917
John W. Doane
Superintendent

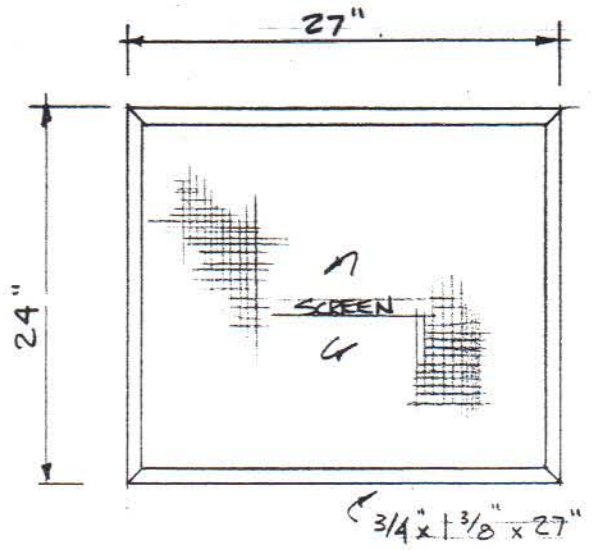
Gabrielle Sakolsky-Hoopes
Assistant Superintendent

COMMISSIONERS:
Jere Downing, Chairman
Charles Sumner, Vice Chairman
J. Gregory Milne, Secretary
James H. Quirk
Arthur Neill

THE GREENHEAD FLY TRAP WAS DEVELOPED BY THE PERSONNEL OF THE CAPE COD MOSQUITO CONTROL AND IS INTENDED TO BE USED ON SALT WATER MARSH AREAS. IT IS OUR RECOMMENDATION THAT THE PLACEMENT OF THESE TRAPS FIFTY TO ONE HUNDRED FEET (50' to 100') OUT INTO THE MARSH, FOLLOWING THE PERIMETER AND PLACED APPROXIMATELY TWO HUNDRED FEET (200') APART, WILL REDUCE THE DENSITY OF THE ADULT GREENHEAD FLIES (TABANUS NIGROVITTATUS AND T. LINEOLAR). IT IS SUGGESTED THAT ON CAPE COD THE INSTALLATION BE FROM JUNE 15 THROUGH TO SEPTEMBER 15.



PLAN (TOP SCREEN NOT SHOWN)



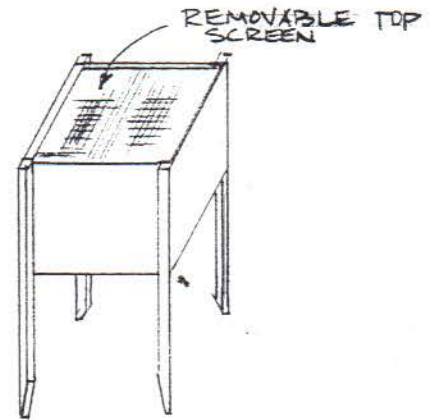
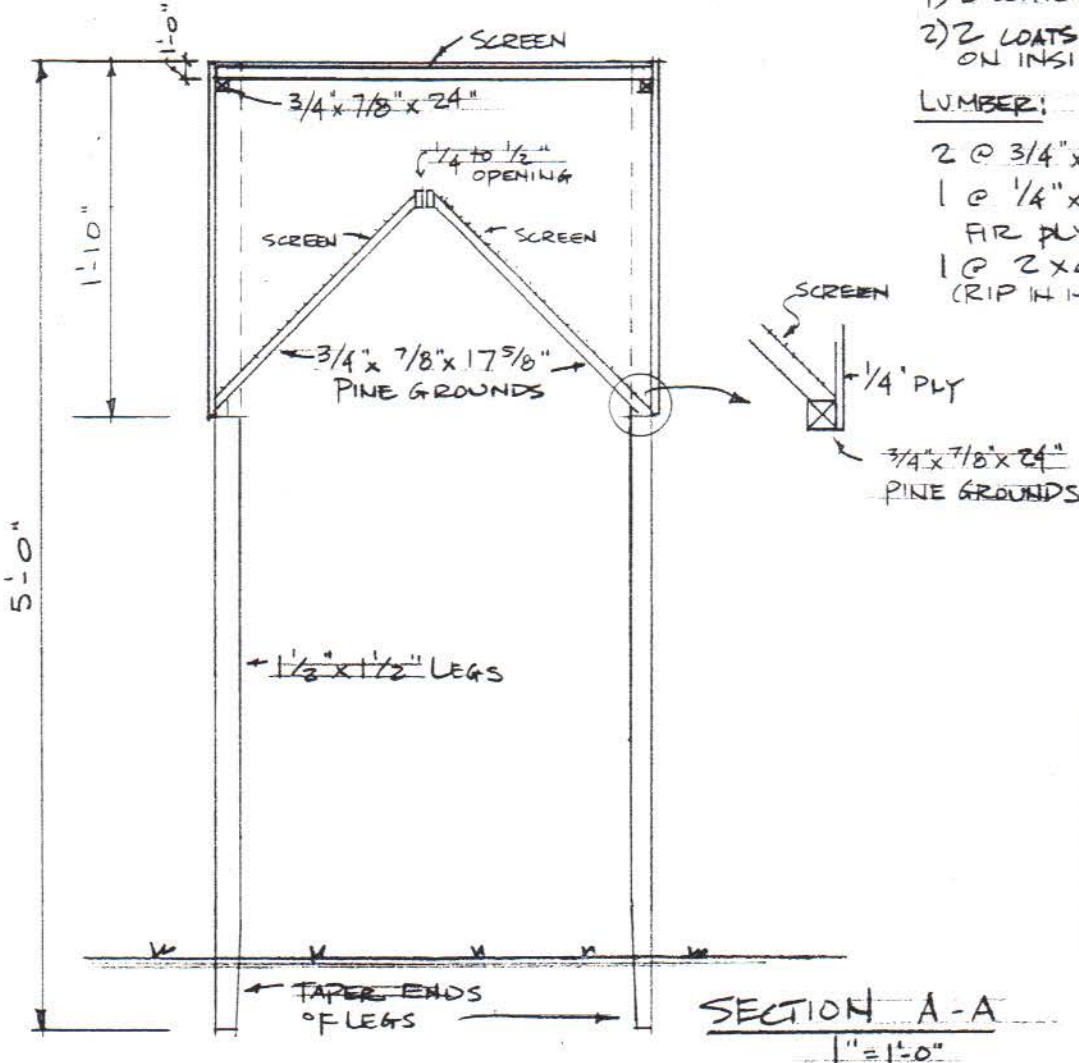
TOP SCREEN

PAIN:

- 1) 2 COATS EXTERIOR BLUE ON OUTSIDE
- 2) 2 COATS EXTERIOR FLAT GRAY ON INSIDE

LUMBER:

- 2 @ 3/4" x 7/8" x 12'-0" PINE GROUNDS
- 1 @ 1/4" x 4' x 8' EXT. AA GRADE FIR PLYWOOD
- 1 @ 2 x 4 x 10'-0" KILN DRY FIR (RIP IN HALF FOR LEGS)



GREENHEAD FLY TRAP

CAPE COD GREENHEAD FLY CONTROL DISTRICT

86 WILLOW ST. YARMOUTHPORT, MA. 02675