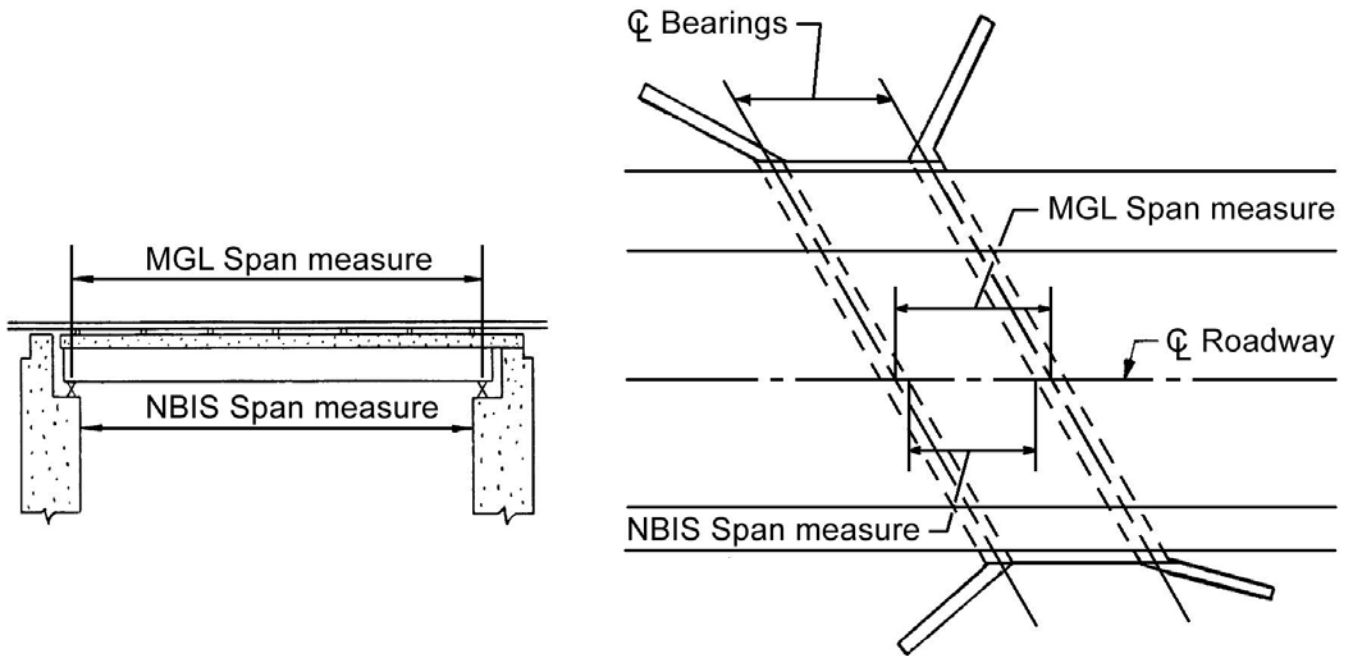


Figure 1: Bridges with Defined Centerlines of Bearings



NOTE: Since the MGL Span and the NBIS Span measures are different, the MGL Span measure may exceed 20 feet while the NBIS Span measure may be less than 20 feet. In this instance, the bridge would still be considered a BRI because it does not meet federal definition of a bridge.