

Figure 2A: Arch Type Bridges

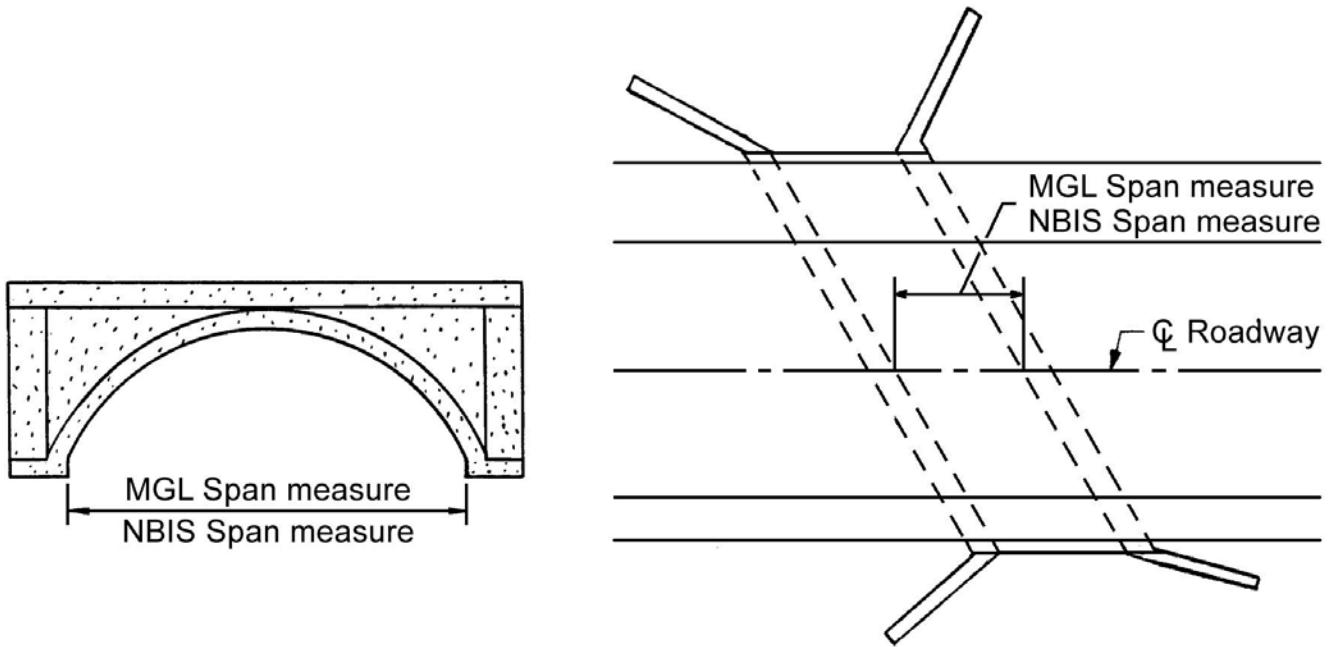
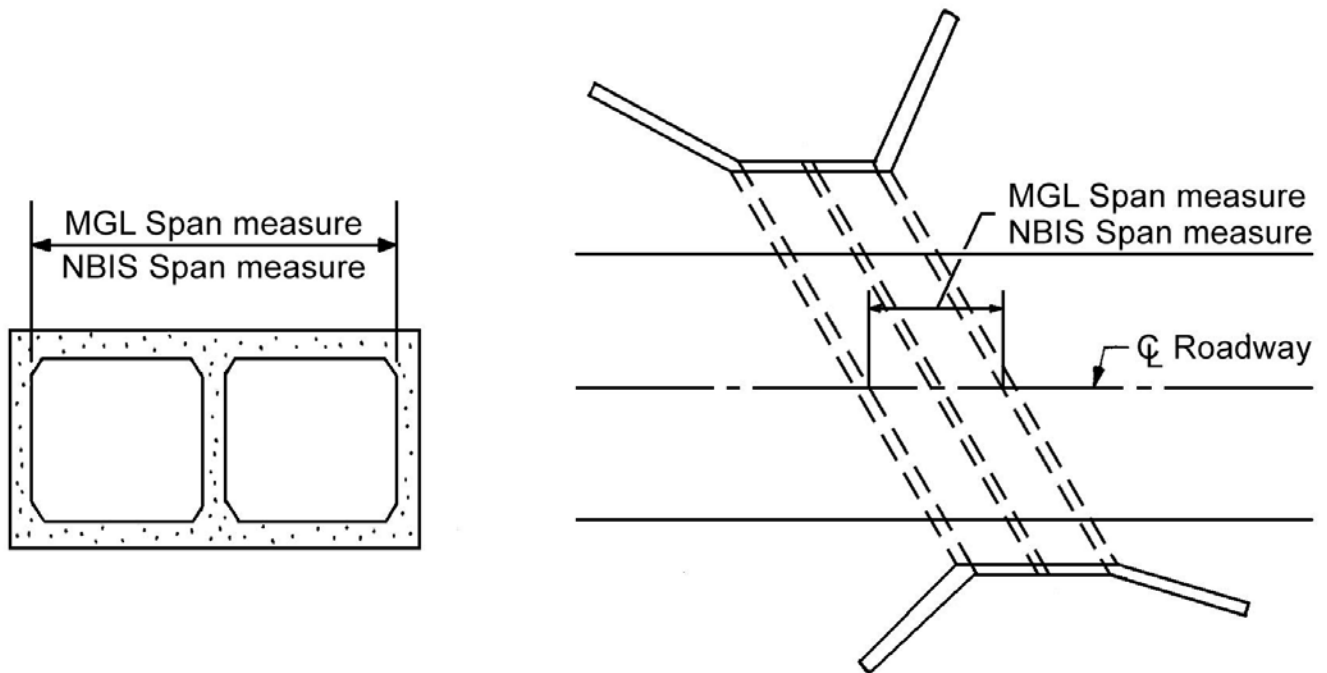


Figure 2b: Culvert Type Bridges



NOTE: This also includes three sided frame type culverts.

Figure 2c: Bridges without Defined Centerlines of Bearings

