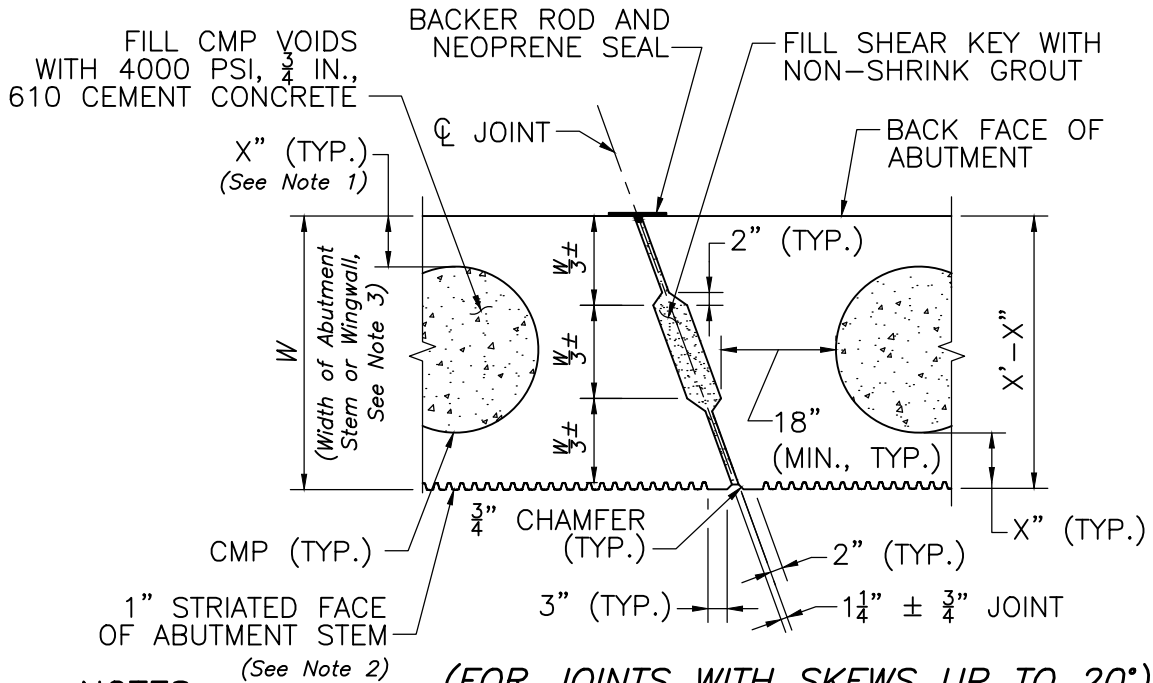


(FOR SQUARE JOINTS)



(FOR JOINTS WITH SKEWS UP TO 20°)

NOTES:

1. FACE OF SHEAR KEYS SHALL BE BLAST CLEANED, ROUGHENED AND WETTED WITH CLEAN WATER PRIOR TO INSTALLATION.
2. REINFORCEMENT IS NOT SHOWN FOR CLARITY.

SECTION 3

SCALE: 1/2" = 1'-0"

NOTES:

1. X" = 8" (Min.) for cantilever abutment.
2. Striated face shall be omitted for Integral Abutments. See Section 3.4, Part II of this Bridge Manual, for Striation Details.
3. These shear key details shall be used for abutment stems and wingwalls thicker than 2'-0". For abutment stems and wingwalls with thickness up to 2'-0" see detail on Dwg. No. 1.1.17.



LRFD BRIDGE
MANUAL, PART III

**ABUTMENT STEM/WINGWALL
SHEAR KEY FOR
WIDTHS > 2'-0"
PRECAST ABUTMENTS**

DATE OF ISSUE
JUNE 2013

DRAWING NUMBER

1.1.16