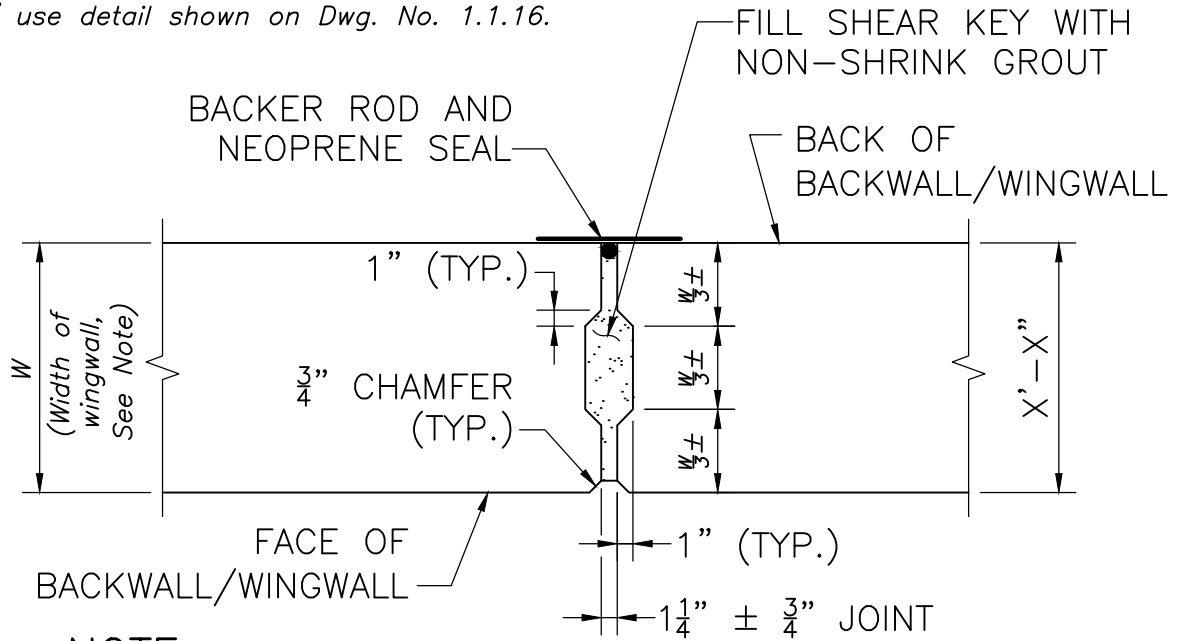


NOTE:

This shear key detail shall be used with backwalls/wingwalls with thickness up to 2'-0". For backwalls/wingwalls thicker than 2'-0" use detail shown on Dwg. No. 1.1.16.

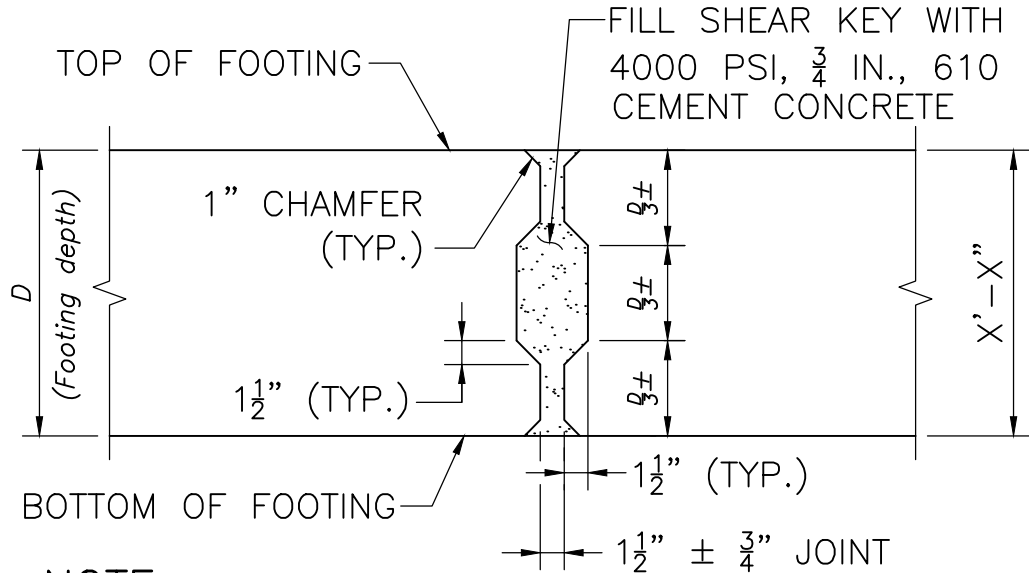


NOTE:

REINFORCEMENT IS NOT SHOWN FOR CLARITY.

SECTION 5

SCALE: 1" = 1'-0"



NOTE:

FOOTING REINFORCEMENT IS NOT SHOWN FOR CLARITY.

SECTION 4

SCALE: 1" = 1'-0"



LRFD BRIDGE

MANUAL, PART III

BACKWALLS/WINGWALLS WITH WIDTHS ≤ 2'-0" AND FOOTINGS SHEAR KEYS PRECAST ABUTMENTS

DATE OF ISSUE
JUNE 2013

DRAWING NUMBER

1.1.17