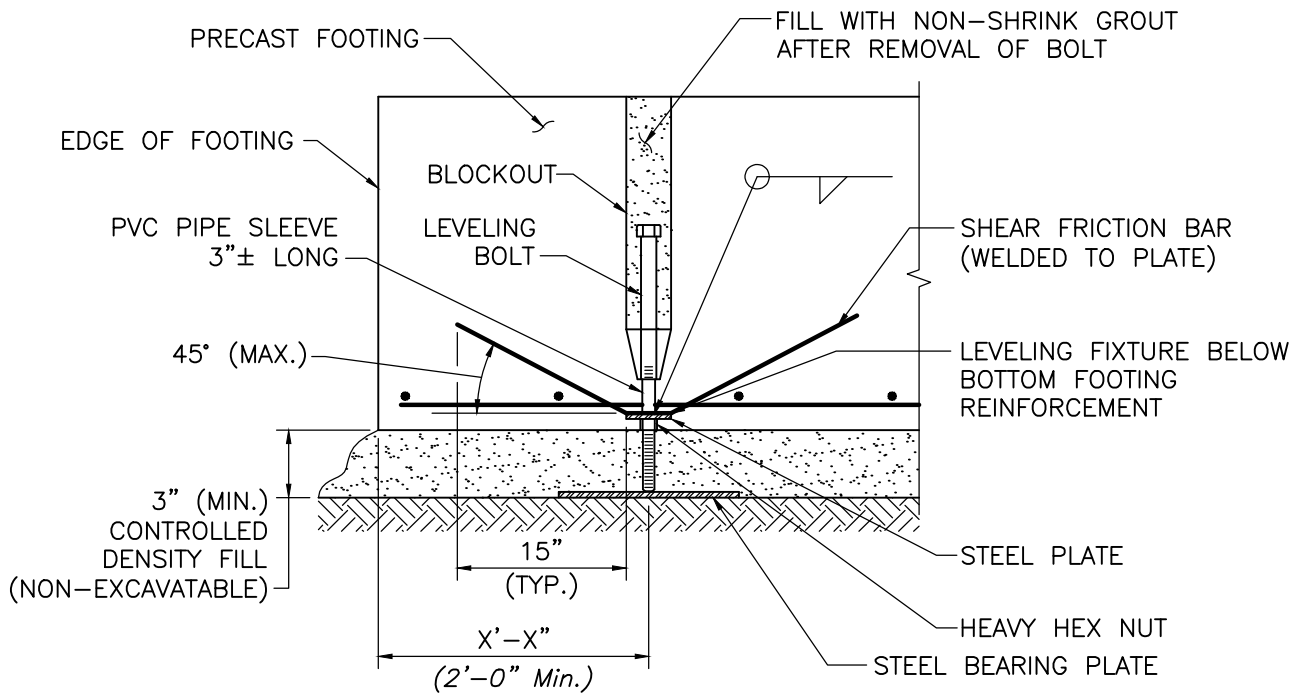


PLAN

SCALE: 1" = 1'-0"



SECTION 10

SCALE: 1" = 1'-0"

LEVELING BOLT ASSEMBLY

NOTE:

For Construction Notes, see Dwg. No. 1.1.19.



LRFD BRIDGE

MANUAL, PART III

LEVELING BOLT ASSEMBLY

PRECAST ABUTMENTS

DATE OF ISSUE
JUNE 2013

DRAWING NUMBER

1.1.18