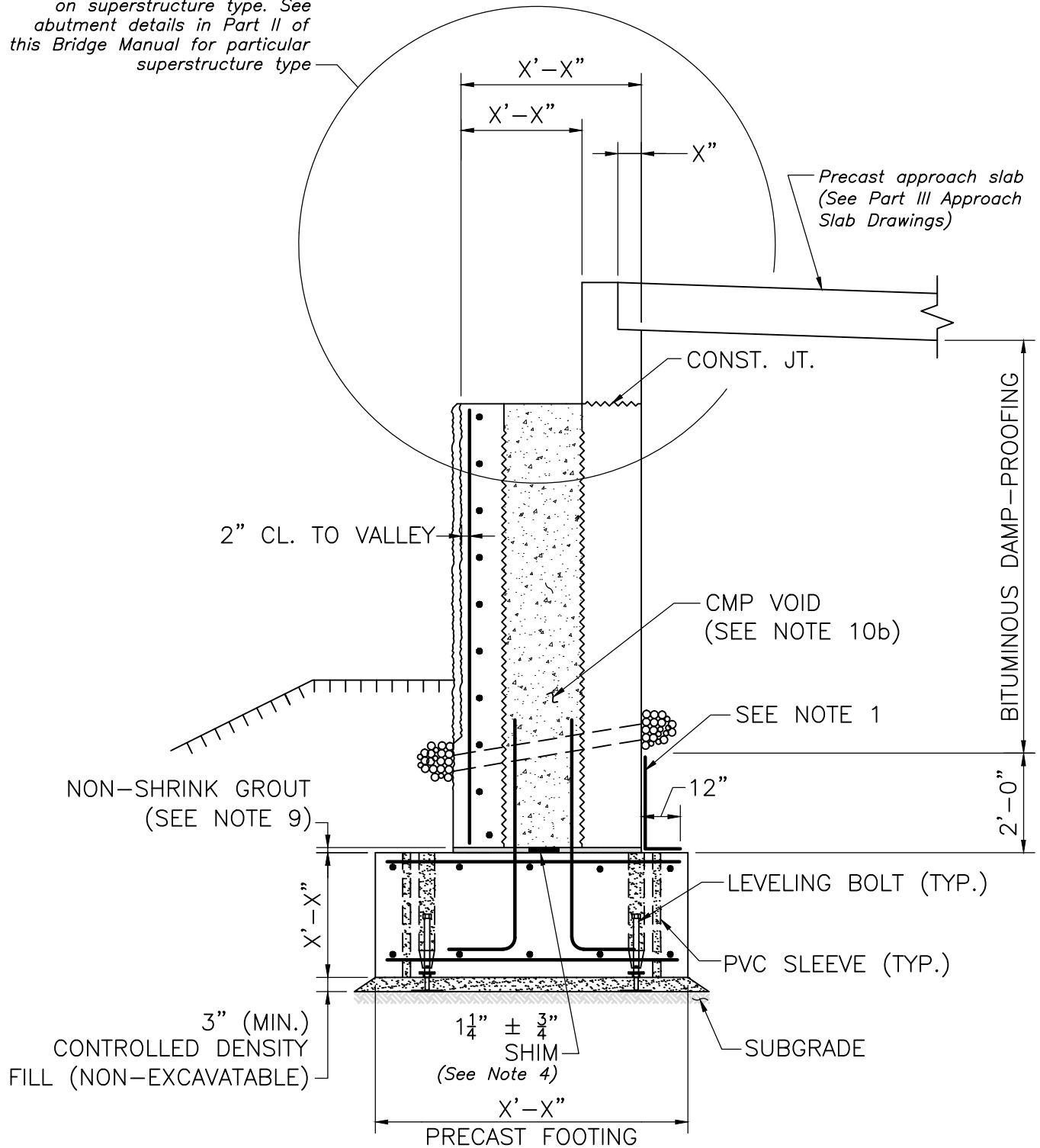


Dimensions vary depending on superstructure type. See abutment details in Part II of this Bridge Manual for particular superstructure type



STUB ABUTMENT SECTION

SCALE: $\frac{3}{8}'' = 1'-0''$

NOTES:

1. See Dwg. No. 1.1.5 for Construction and Designer Notes.
2. For additional Designer Notes and Annotation, see Dwg. No. 3.1.3, Part II of this Bridge Manual.
3. For additional Construction Notes, see Dwg. No. 3.1.6, Part II of this Bridge Manual.
4. Shims shown are outside the CMP voids.



LRFD BRIDGE

MANUAL, PART III

STUB ABUTMENT VERTICAL SECTION PRECAST ABUTMENTS

DATE OF ISSUE
JUNE 2013

DRAWING NUMBER

1.1.4