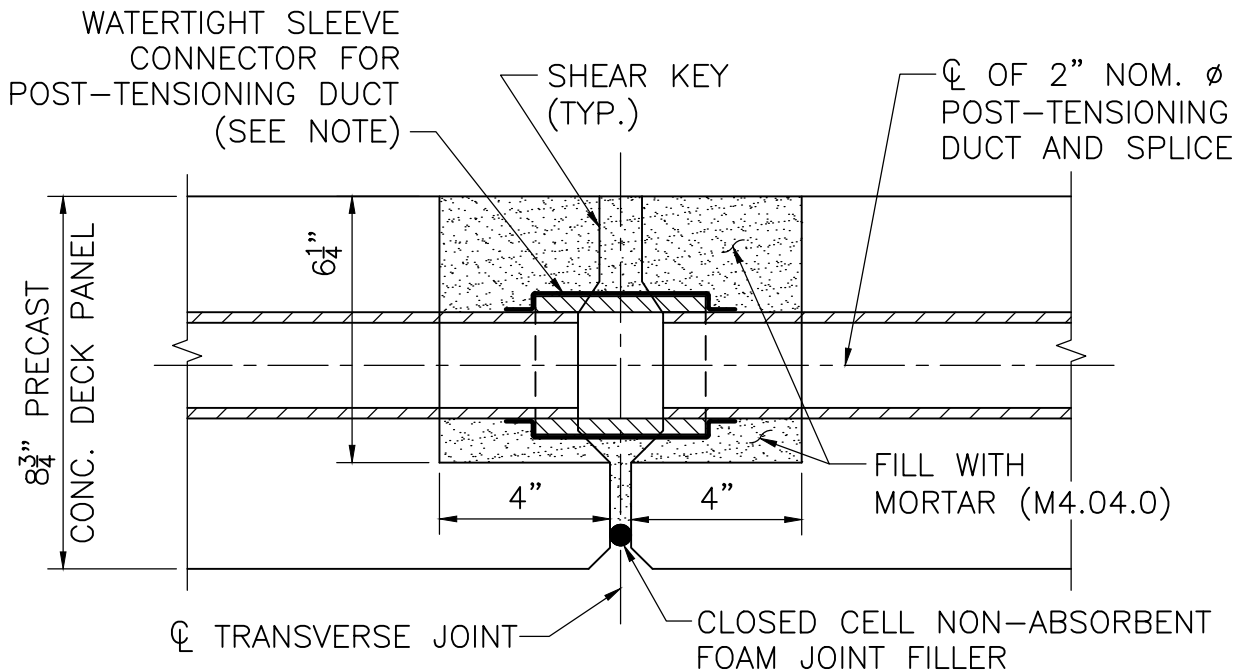


POST-TENSIONING DUCT CONNECTION – PLAN

SCALE: 3" = 1'-0"



SECTION 4

SCALE: 3" = 1'-0"

NOTE WELL!

IT IS OF EXTREME IMPORTANCE TO MAKE THESE POST-TENSIONING DUCT CONNECTIONS 100% WATERTIGHT IN ORDER TO PREVENT MORTAR ENTERING THE POST-TENSIONING DUCTS WHEN IT IS PLACED IN THE TRANSVERSE JOINTS, AS WELL AS TO AVERT MORTAR FROM ESCAPING THE DUCTS DURING THEIR SUBSEQUENT GROUTING WITH MORTAR.



LRFD BRIDGE

MANUAL, PART III

POST-TENSIONING DUCT
CONNECTION PLAN AND
LONGITUDINAL SECTION
PRECAST CONCRETE DECK PANELS

DATE OF ISSUE
JUNE 2013

DRAWING NUMBER

5.1.11