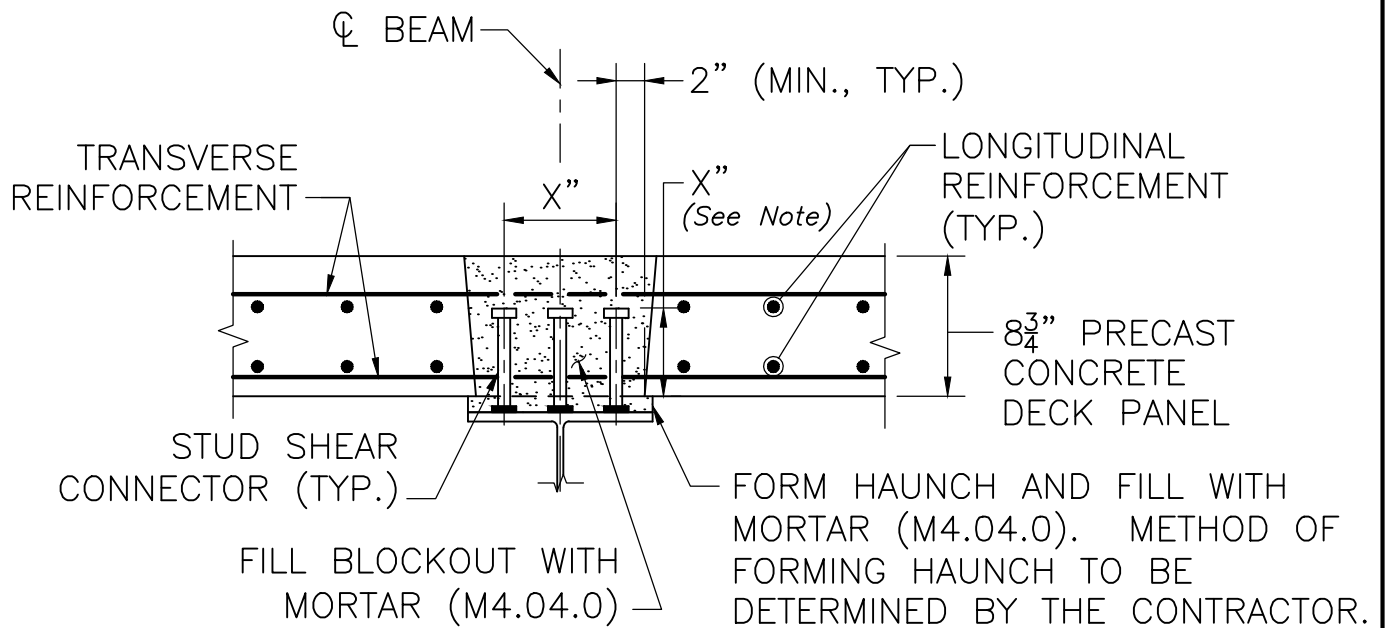


### SECTION 5

SCALE: 1" = 1'-0"



### SECTION 6

SCALE: 1" = 1'-0"

**NOTE:**

For Designer Notes see Dwg. No. 5.6.2, Part II of this Bridge Manual.



LRFD BRIDGE

MANUAL, PART III

SECTIONS THRU BLOCKOUT  
W/ STUD SHEAR CONNECTORS  
FOR STEEL BEAMS  
PRECAST CONCRETE DECK PANELS

DATE OF ISSUE  
JUNE 2013

DRAWING NUMBER

**5.1.17**