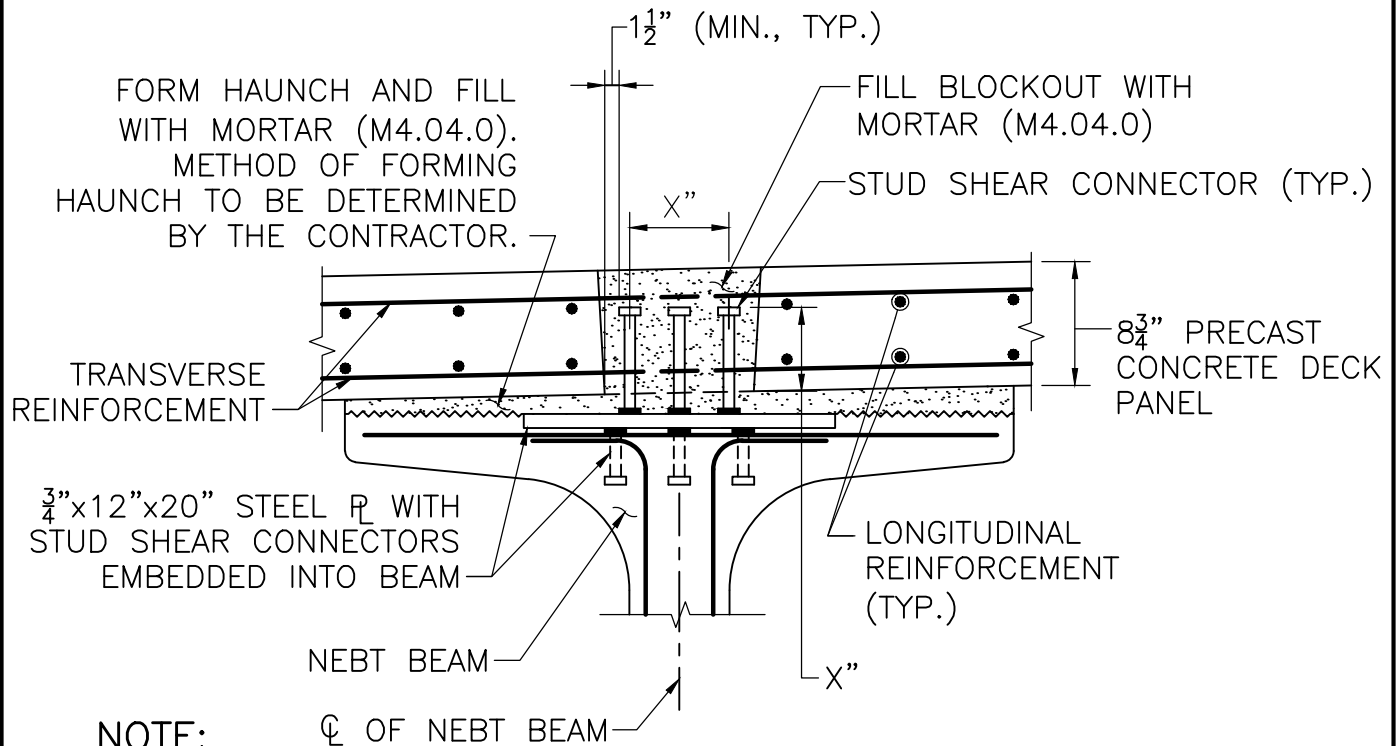


SECTION 5

SCALE: 1" = 1'-0"



NOTE:

EMBEDDED STEEL PLATE SHALL BE GROUNDED FOR FIELD WELDING OF STUDS. PROVIDE SHOP APPLIED GROUNDING LUG ON TOP OF EMBEDDED PLATE.

SECTION 6

SCALE: 1" = 1'-0"

NOTES:

1. For Designer Notes see Dwg. No. 5.6.2, Part II of this Bridge Manual.
2. NEBT beam shown. Box beams are similar.



LRFD BRIDGE

MANUAL, PART III

SECTION THRU BLOCKOUT W/ STUD
SHEAR CONNECTORS FOR NEBT &
PRECAST PRESTRESSED BOX BEAMS
PRECAST CONCRETE DECK PANELS

DATE OF ISSUE
JUNE 2013

DRAWING NUMBER

5.1.18