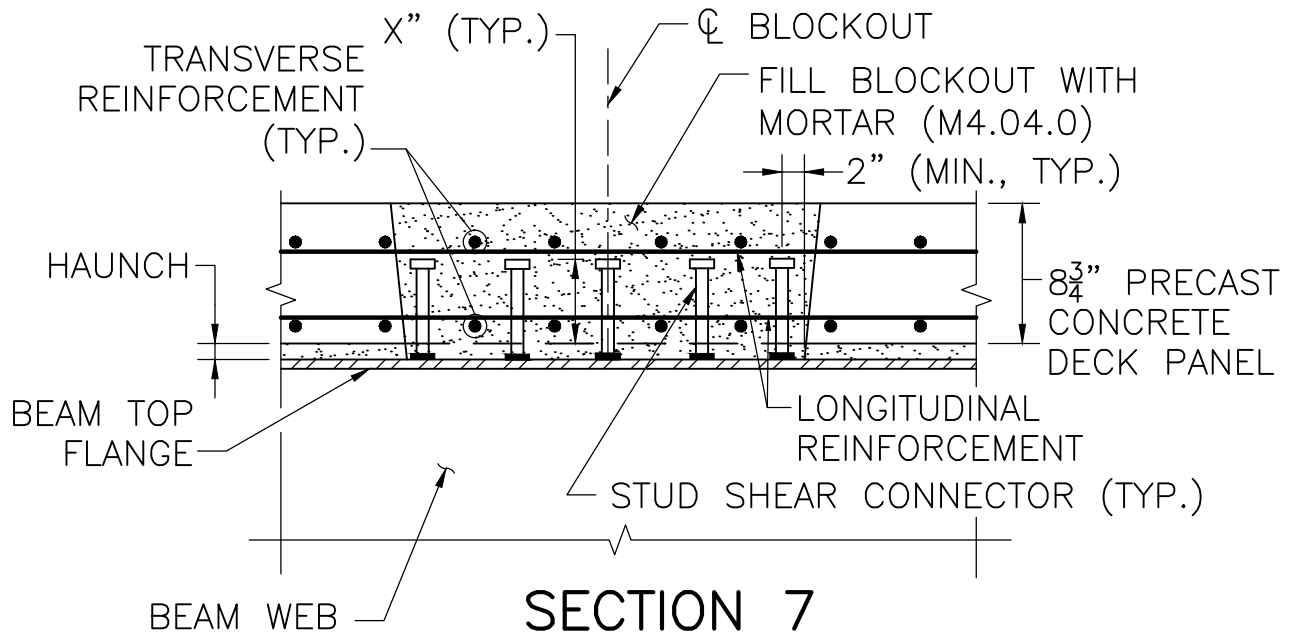


**PLAN**

SCALE:  $1\frac{1}{2}'' = 1'-0''$



**SECTION 7**

SCALE:  $1'' = 1'-0''$

**NOTE:**

The Designer should check the precast panels inclusive of all blockouts for handling in accordance with the PCI Design Handbook. See Part I of this Bridge Manual.



LRFD BRIDGE

MANUAL, PART III

**LARGE BLOCKOUTS  
PLAN AND SECTION**

PRECAST CONCRETE DECK PANELS

DATE OF ISSUE  
JUNE 2013

DRAWING NUMBER

**5.1.19**