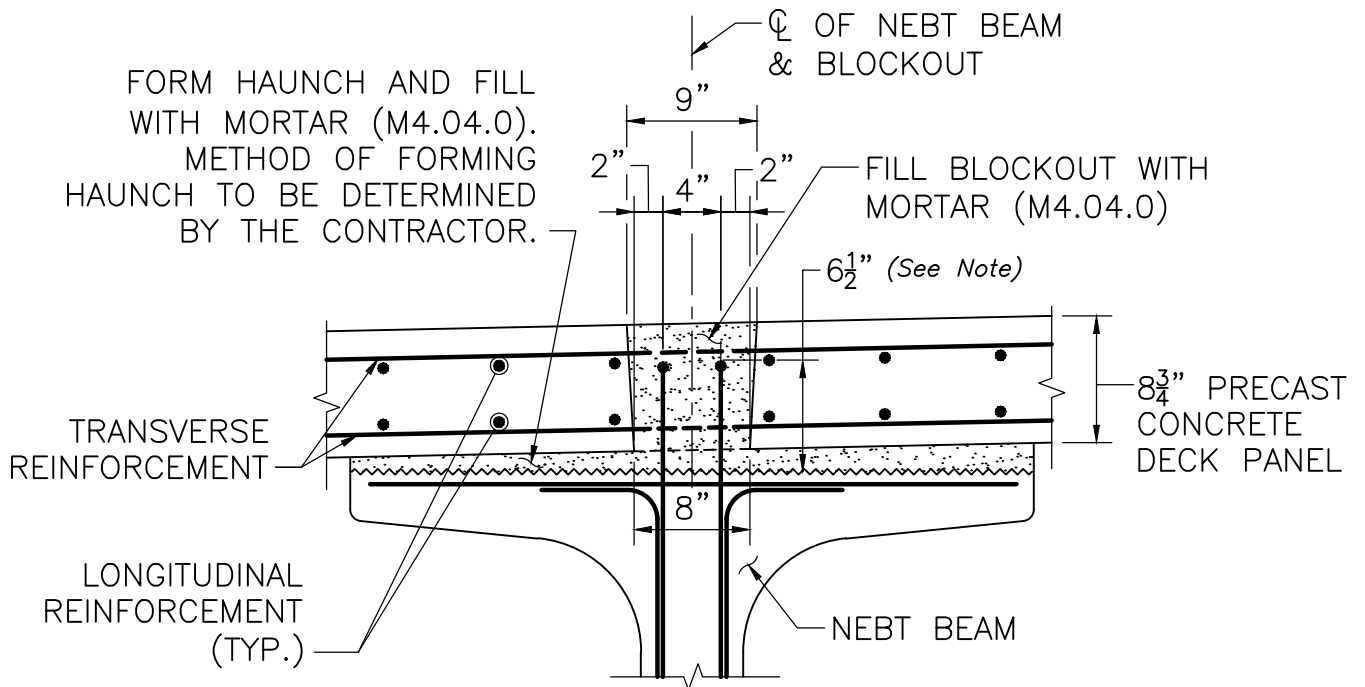


### SECTION 8

SCALE: 1" = 1'-0"



### SECTION 9

SCALE: 1" = 1'-0"

**NOTE:**

Embedment Length of the Horizontal Shear Reinforcement into the deck may need to be increased in cases with large blocking depths. The Designer shall ensure that at least 2" clear cover is maintained to the top of the deck at all locations. The embedment length shown does not produce full development.



LRFD BRIDGE  
MANUAL, PART III

SECTIONS THRU BLOCKOUT  
W/ HORIZONTAL SHEAR  
REINFORCEMENT FOR NEBT BEAMS  
PRECAST CONCRETE DECK PANELS

DATE OF ISSUE  
JUNE 2013

DRAWING NUMBER  
**5.1.20**