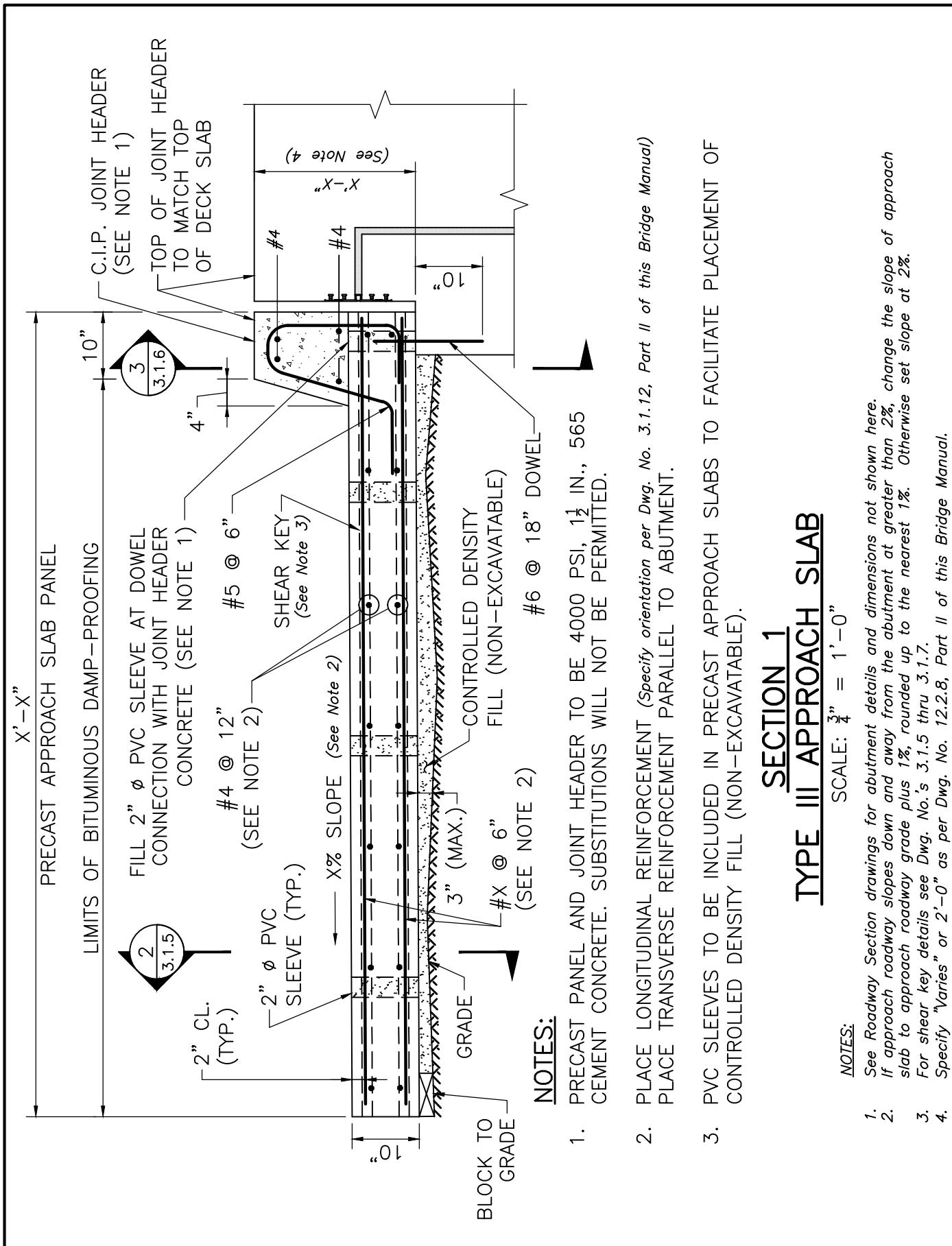


LONGITUDINAL SECTION
 TYPE III APPROACH SLAB
 PRECAST APPROACH SLAB

DATE OF ISSUE
 JUNE 2013

DRAWING NUMBER
3.1.4



NOTES:

1. PRECAST PANEL AND JOINT HEADER TO BE 4000 PSI, 1½ IN., 565 CEMENT CONCRETE. SUBSTITUTIONS WILL NOT BE PERMITTED.
2. PLACE LONGITUDINAL REINFORCEMENT (Specify orientation per Dwg. No. 3.1.12, Part II of this Bridge Manual) PLACE TRANSVERSE REINFORCEMENT PARALLEL TO ABUTMENT.
3. PVC SLEEVES TO BE INCLUDED IN PRECAST APPROACH SLABS TO FACILITATE PLACEMENT OF CONTROLLED DENSITY FILL (NON-EXCAVATABLE).

SECTION 1
TYPE III APPROACH SLAB

SCALE: ¾" = 1'-0"

NOTES:

1. See Roadway Section drawings for abutment details and dimensions not shown here.
2. If approach roadway slopes down and away from the abutment at greater than 2%, change the slope of approach slab to approach roadway grade plus 1%, rounded up to the nearest 1%. Otherwise set slope at 2%.
3. For shear key details see Dwg. No.'s 3.1.5 thru 3.1.7.
4. Specify "Varies" or 2'-0" as per Dwg. No. 12.2.8, Part II of this Bridge Manual.