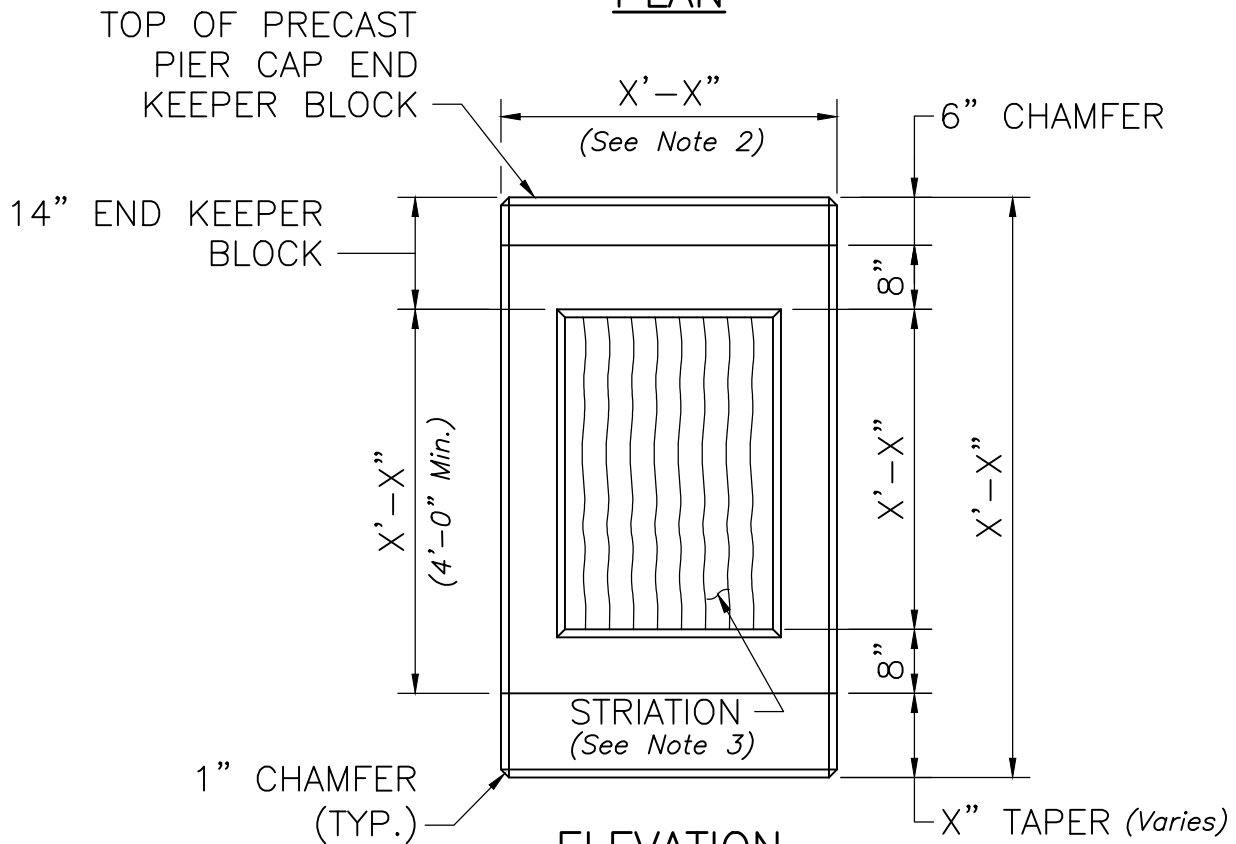


PLAN



ELEVATION

PIER CAP ENDS

SCALE:  $\frac{1}{2}'' = 1' - 0''$

NOTES:

1. Plan detail shown is for steel bridges. Modify the detail as necessary for precast concrete bridges.
2. 3'-6" minimum for steel bridges. 4'-4" minimum for precast concrete bridges.
3. See Section 3.4, Part II of this Bridge Manual, for striation details.



LRFD BRIDGE

MANUAL, PART III

AESTHETIC PIER  
 PIER CAP ENDS

PRECAST PIERS

DATE OF ISSUE  
 JUNE 2013

DRAWING NUMBER

**4.1.20**