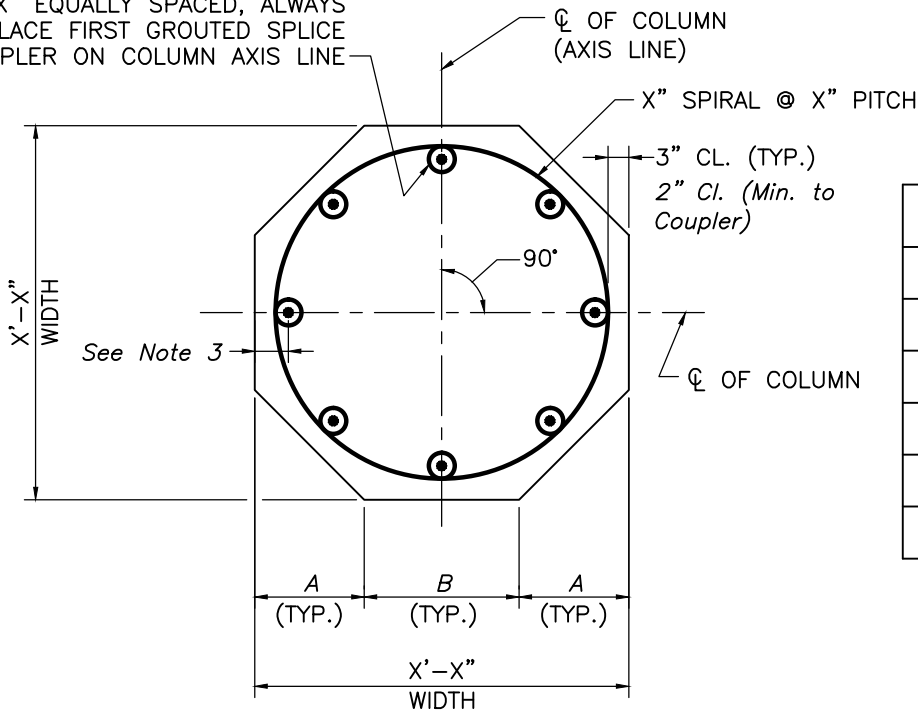


X" EQUALLY SPACED, ALWAYS  
PLACE FIRST GROUDED SPLICE  
COUPLER ON COLUMN AXIS LINE

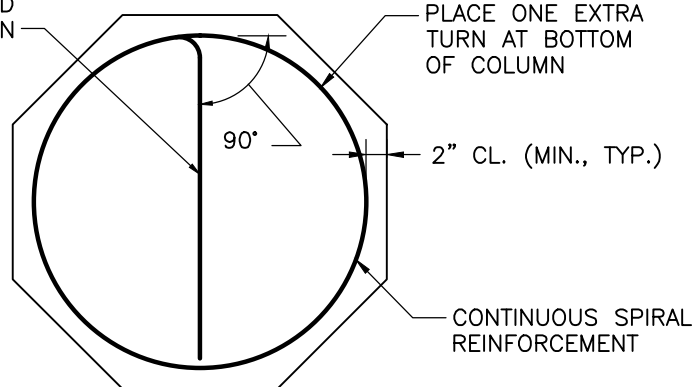


COLUMN DIMENSIONS		
WIDTH (ft)	A (in)	B (in)
3'-0"	10 $\frac{9}{8}$	14 $\frac{5}{8}$
3'-6"	12 $\frac{5}{8}$	17 $\frac{3}{8}$
4'-0"	14 $\frac{1}{8}$	19 $\frac{7}{8}$
4'-6"	15 $\frac{3}{8}$	22 $\frac{3}{8}$
5'-0"	17 $\frac{9}{8}$	24 $\frac{7}{8}$

### SECTION 3

SCALE: 1" = 1'-0"

TERMINATE BAR WITH  
90° HOOK AND EXTEND  
BAR ACROSS ENTIRE COLUMN



### NOTE:

COLUMN VERTICAL REINFORCEMENT NOT SHOWN FOR CLARITY.

### SPIRAL REINFORCEMENT TERMINATION DETAIL

SCALE: 1" = 1'-0"

### NOTES:

1. Details shown are based on providing longitudinal reinforcing equal to approximately 1.5% of the gross area of the column. Actual reinforcing will vary by project based on the design.
2. Include spiral reinforcement splice detail from Dwg. No. 3.5.4, Part II of this Bridge Manual, on Construction Drawings.
3. Design column based on the maximum size coupler. See Dwg. No. 5.1.6 for details.



LRFD BRIDGE  
MANUAL, PART III

TYPICAL COLUMN DIMENSIONS,  
HORIZONTAL SECTION AND SPIRAL  
REINFORCEMENT TERMINATION DETAIL  
PRECAST PIERS

DATE OF ISSUE  
JUNE 2013

DRAWING NUMBER

**4.1.5**