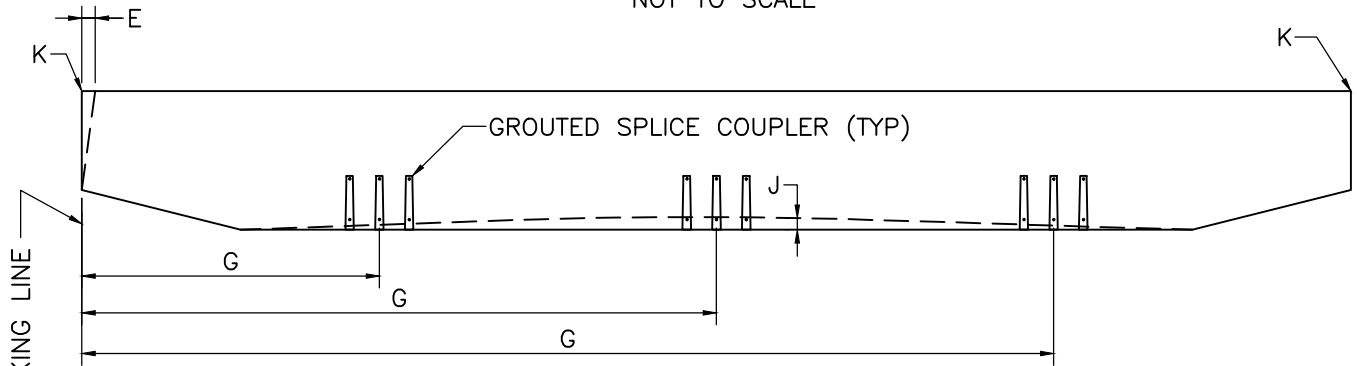
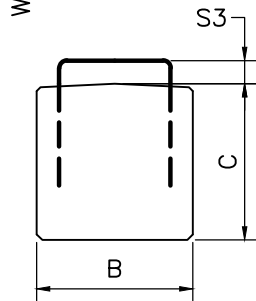


PLAN
NOT TO SCALE



ELEVATION
NOT TO SCALE



SECTION
NOT TO SCALE

BENT CAP FABRICATION TOLERANCES

A	LENGTH (OVERALL)	$\pm\frac{3}{4}$ "
B	WIDTH (OVERALL)	$\pm\frac{1}{4}$ "
C	DEPTH (OVERALL)	$\pm\frac{1}{4}$ "
D	VARIATION FROM SPECIFIED PLAN END SQUARENESS OR SKEW	$\pm\frac{1}{8}$ " PER 12 INCH WIDTH $\pm\frac{1}{2}$ " MAXIMUM
E	VARIATION FROM SPECIFIED ELEVATION END SQUARENESS OR SKEW	$\pm\frac{1}{8}$ " PER 12 INCH WIDTH $\pm\frac{1}{2}$ " MAXIMUM
F	SWEEP, FOR MEMBER LENGTH (IF PRESTRESSED): UP TO 40 FEET 0 FEET TO 60 FEET OVER 60 FEET	$\pm\frac{1}{4}$ " $\pm\frac{1}{2}$ " $\pm\frac{5}{8}$ "
G	LOCATION OF GROUTED SPLICE COUPLER MEASURED FROM A WORKING LINE	$\pm\frac{1}{4}$ "
H	LOCAL SMOOTHNESS OF ANY SURFACE	$\pm\frac{1}{4}$ " IN 10 FEET
J	VARIATION FROM SPECIFIED CAMBER (IF PRESTRESSED)	$\pm\frac{1}{8}$ " PER 10 FEET $\pm\frac{1}{2}$ " MAXIMUM
S3	STIRRUP PROJECTION FROM CAP SURFACE	$+\frac{1}{4}$ ", $-\frac{1}{2}$ "

BENT CAP ELEVATION ERECTION TOLERANCES

K	ERECTION ELEVATION TOLERANCE	$\pm\frac{1}{4}$ "
---	------------------------------	--------------------



LRFD BRIDGE
MANUAL, PART III

**BENT CAP FABRICATION
AND ERECTION TOLERANCES**
PRECAST TOLERANCES

DATE OF ISSUE
JUNE 2013

DRAWING NUMBER

6.1.2